

Assemble Box

1. Screw two (2) L-brackets to ends of slotted members using four (4) M3X6mm screws (provided).

Note: Screws may strip if over-torqued.

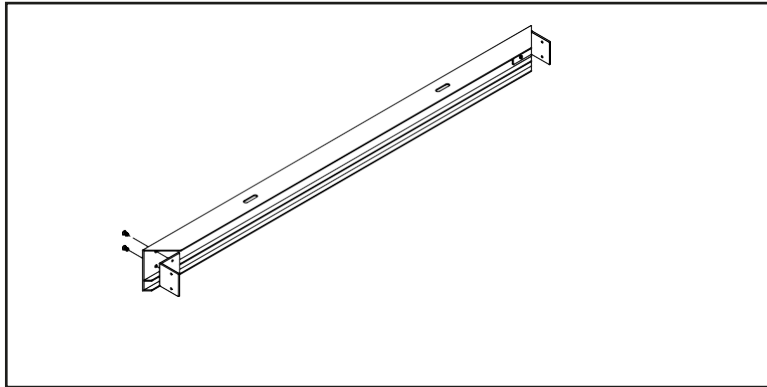


Figure 1

Mount Box to Ceiling

1. Locate box on surface and mark mounting holes.
2. Attach box to ceiling or wall using #8 wood screws for stud mount or 3/16" diameter toggle bolt for drywall mounting (sold separately). Ensure the box is kept square when mounting.

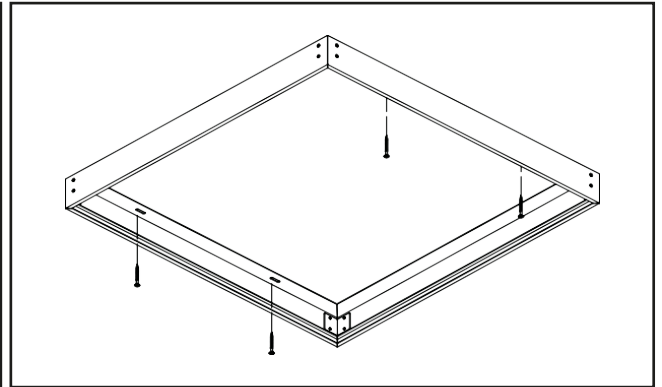


Figure 3

2. Screw non-slotted members to other side of L bracket, forming a box.

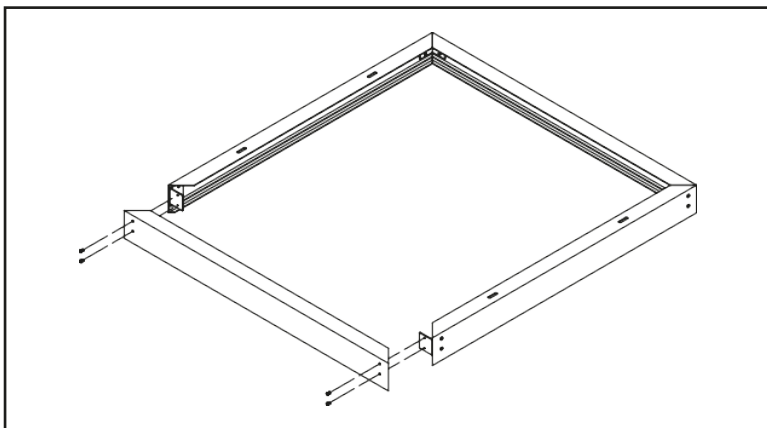


Figure 2

2. The spacing for mounting hole is:

Fixture Size (L' x W')	Hole Spacing (in)
2x2	11 3/4"
1x4	13 3/4"
2x4	13 3/4"

Table 1. Fixture Hole Spacing

