



# DIM10-087-06-A

## DALI-2/ DIM to OFF Wireless Lighting Controller

Specification Data	
Job Name	
Type	
Catalog #	
Comments	

### Product Overview

The DIM10-087-06-A embedded wireless controller opens up an exciting integration path for LED fixtures. Its smaller size and lower cost point makes this DC-powered wireless controller versatile enough to be embedded in nearly any medium to high wattage LED fixture. Pairing the DIM10-087-06-A with a SimplySNAP Site Controller makes it easy for your customer to comply with ASHRAE, Title 24, and other energy requirements today and in the future.

### Features

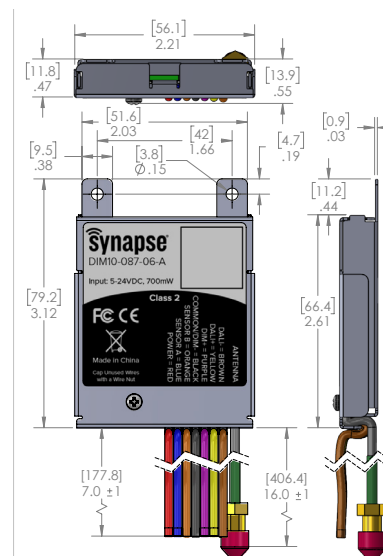
- Simplified DC Design — mates with LED Drivers
- Small footprint allows for easier integration
- Less Labor, Less Wires, Quicker Time-to-Market
- More Reliable — No Mechanical Relay
- DALI-2 Compatible Bus- Power Monitoring and Dimming via Bus
- Power Monitoring (DALI-2 Only)
- DIM to OFF Compatible with 0-10V Dimming (No Power Monitoring)
- Powered via Aux LED Driver Power
- Self-healing 2.4GHz SNAP Mesh Networking
- Seamless SimplySNAP Integration
- Secure, over-the-air software upgrades
- 2 Sensor Inputs: DC motion Sensors and 0-10V Photocells
- DLC Certification for both Indoor and Outdoor
- Secure AES128 Encryption
- RP-SMA Bulkhead with 18" RF Cable
- Rugged metal enclosure



Powered by the LED Driver

### Future DALI-2 Enhancements

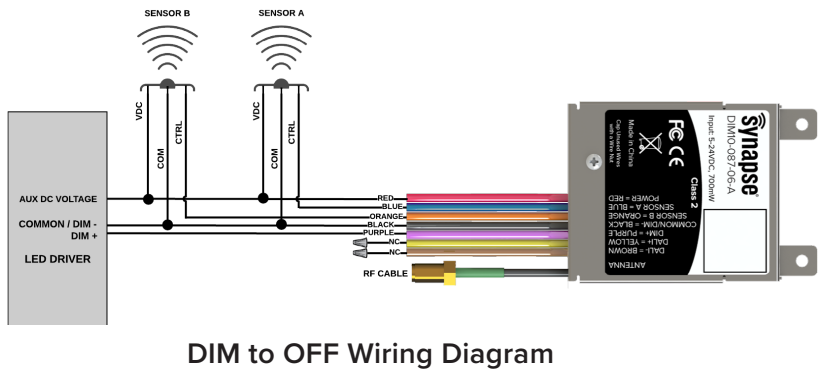
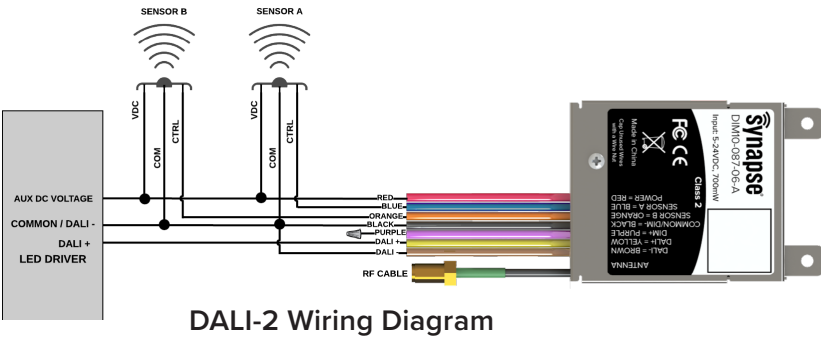
- Fixture Run Time in Hours
- Fixture Model Data
- LED Driver Model Data
- Surge Detection
- Over Temperature
- Over Current
- DALI-2 Sensors
- White Color Tuning



To learn more, call or visit:  
[synapsewireless.com](http://synapsewireless.com)  
 (877) 982-7888



# DIM10-087-06-A Wiring Diagram Examples



Product #	Description
DIM10-087-06-A	Board in Metal Case with Wires, Antenna Extension Cable (External antenna not included)

## Specifications

<b>Dimensions</b>	3.12" L x 2.21" W x .55" H (79.2 L x 56.1 W x 13.9 H mm)	
<b>Input Power</b>	5 to 24V DC	
<b>Max Current Draw</b>	140mA @ 5V	
<b>IP Rating</b>	IP30	
<b>Temperature</b>	-40°C to +85°C	
<b>Dimming</b>	0-10V, 10 mA (Max)	
<b>DALI-2</b>	Limited to 4 LED Drivers	
<b>Wire Size</b>	20 AWG, 7" Wires, 600V	
<b>Sensor Input Specifications</b>	Analog: 0-10V	2 Available Software Select
	Digital: 0-24V	
<b>Radio</b>	SNAP 2.4GHz ; 802.15.4 +20 dBm Transmit Power -103 dBm Receive Sensitivity	
<b>Certifications</b>	UL Recognized Component; CE; FCC/IC; DLC- Indoor/Outdoor; DiiA - DALI-2 Certification (Pending)	
<b>Warranty*</b>	5 Years	

\*See [www.synapsewireless.com/warranty](http://www.synapsewireless.com/warranty) for warranty terms

## Signal/Wire Colors

Signal	Wire Color
DALI +	YELLOW
DALI -	BROWN
SENSOR INPUT B	ORANGE
SENSOR INPUT A	BLUE
POWER	RED
DIM +	PURPLE
COMMON/DIM -	BLACK

**Note: Cap Unused Wires with a Wire Nut!**

## Antenna Options - optional for DIM10-087-06-A model

Part #	Description
ANT-ORB-1.5-1	Outdoor Fixed Right Angle Antenna, 1.5 dBi gain
ANT-OSB-1.5-1	Outdoor Straight Antenna, 1.5 dBi gain
ANT-ORS-5.1	Stubby Antenna, Outdoor Right Angle
ANT-OSS-5.1	Stubby Antenna, Outdoor Straight

## SimplySNAP Site Controller - required for all SimplySNAP deployments

Part #	Description
SS450-002	SimplySNAP, WiFi, Verizon LTE, Industrial Metal Enclosure