

LED THERMOPLASTIC EMERGENCY UNIT ROTABLE OPTICS



illumination

- Long lasting, efficient, ultra bright white LED lamp heads.
- 1.0 watt (8 LEDs x 0.125 watt) per head.
- High performance chrome-plated metallized reflector and plastic lens for optimal light distribution.
- Adjustable LED lamp heads provide optimal center-to-center spacing

Electrical

- Dual 120/277 voltage standard.
- Charge rate/power "ON" LED indicator light and push-to-test witch for mandated code compliance testing.
- 3.6V long life, maintenance-free, rechargeable NiCd battery.
- Internal solid-state transfer switch automatically connects the internal battery to LED lamp heads for minimum 90-minute emergency illumination.
- Fully automatic solid-state, two rate charger initiates battery charging to recharge a discharged battery in 24 hours.

Mounting

- Universal knockout pattern on back plate for wall mount. Snaps into place making internal electrical
- Suitable for wall or ceiling mount
- Knockout for conduit applications.

Housing

- Injection-molded, engineering grade, 5VA flame retardant, high-impact resistant, thermoplastic in gray or black finish.

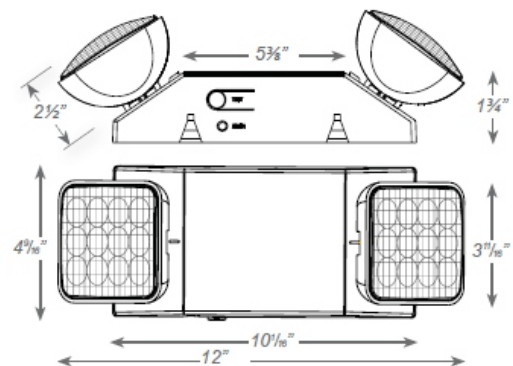
Options

- SDT: Self-diagnostic feature performs monthly, biannual, and annual tests to ensure reliable operation and meets electrical and life safety codes
- HL: 12-LED heads provide increased center-to-center spacing (1.5W per head).
- SPV: UL Listed for 208/220/240 Volt, 50/60Hz.
- CSA: Tested 120/347V to meet requirements of CSA C22.2
- No. 141.10 standard for emergency lighting equipment.
- CEC: Certified to CEC under Title 20 Regulations

Warranty and Listings

- Five year warranty on all electronics and housing. Batteries prorated for five years.
- UL (standard)/CSA (optional) listed for damp locations (0°C – 50°C).
- Meets UL924, NFPA 101 Life Safety Code, NEC, OSHA, Local and State Codes.

Product Dimensions



ORDERING INFORMATION

Product Series	Housing Color	Options
JEM	WH (White) BK (Black)	SDT (Self Diagnostics) HL (High Lumen) SPV (208/220/240V) CSA (120/347V) CEC (Title 20 Compliant)



Miami, FL USA - info@jademar.com
T: 305.640.0465 - F: 305.640.0468
WWW.JADEMAR.COM



Information contained herein is subject to change without notice.
Values are nominal. All values conform to DLC tolerances.
Revised 05/2019