

# LED THERMOPLASTIC EMERGENCY UNIT

## ILLUMINATION

- Long lasting, efficient, ultra bright white LED lamp heads.
- 1.0 watt (8 LEDs x 0.125 watt) per head.
- High performance chrome-plated metallized reflector and plastic lens for optimal light distribution.
- Adjustable LED lamp heads provide optimal center-to-center spacing

## ELECTRICAL

- Dual 120/277 voltage standard.
- Charge rate/power "ON" LED indicator light and push-to-test witch for mandated code compliance testing.
- 3.6V long life, maintenance-free, rechargeable NiCd battery.
- Internal solid-state transfer switch automatically connects the internal battery to LED lamp heads for minimum 90-minute emergency illumination.
- Fully automatic solid-state, two rate charger initiates battery charging to recharge a discharged battery in 24 hours.

## MOUNTING

- Universal knockout pattern on back plate for wall mount. Snaps into place making internal electrical
- Suitable for wall or ceiling mount
- Knockout for conduit applications.

## HOUSING

- Injection-molded, engineering grade, 5VA flame retardant, high-impact resistant, thermoplastic in gray or black finish.

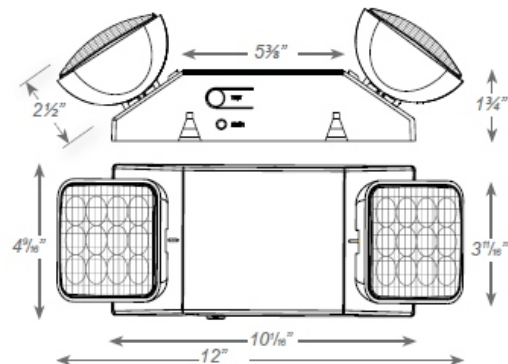
## OPTIONS

- SDT: Self-diagnostic feature performs monthly, biannual, and annual tests to ensure reliable operation and meets electrical and life safety codes.
- HL: 12-LED heads provide increased center-to-center spacing (1.5W per head).
- SPV: UL Listed for 208/220/240 Volt, 50/60Hz.
- CSA: Tested 120/347V to meet requirements of CSA C22.2
- No. 141.10 standard for emergency lighting equipment.
- CEC: Certified to CEC under Title 20 Regulations.

## WARRANTY AND LISTINGS

- Five year warranty on all electronics and housing. Batteries prorated for five years.
- UL (standard)/CSA (optional) listed for damp locations (0°C – 50°C).
- Meets UL924, NFPA 101 Life Safety Code, NEC, OSHA, Local and State Codes.

## PRODUCT DIMENSIONS



## ORDERING INFORMATION

Product Series	Housing Color	Options
JEM	Blank (White) BK (Black)	SDT (Self Diagnostics) HL (High Lumen) SPV (208/220/240V) CEC (Title 20 Compliant)



Miami, FL USA - info@jademar.com  
T: 305.640.0465 - F: 305.640.0468  
**WWW.JADEMAR.COM**



Information contained herein is subject to change without notice.  
Values are nominal.  
Revised 04/2022