

JFMD FLUSH MOUNT DECORATIVE LUMINAIRE

PRODUCT DESCRIPTION

JFMD is a ceiling or wall mount series which can be used in a broad range of residential and commercial applications. It is a remarkably versatile type of fixture that is suitable for almost any interior space.

With a traditional opal white lens, it produces even, uniform light distribution and ideal choice for offices, corridors, stairways, bedroom, closet and foyers applications where customers are replacing incandescent, circline or compact fluorescent lamps.

PRODUCT FEATURES

- ETL & EnergyStar
- 16"
- 30K
- 17W
- 1700L
- Steel base with white powder coated and stain nickel rings with white plastic lens
- High-transmission plastic lens with excellent distribution and uniformity
- Direct replacement for fluorescent
- 10 years warranty

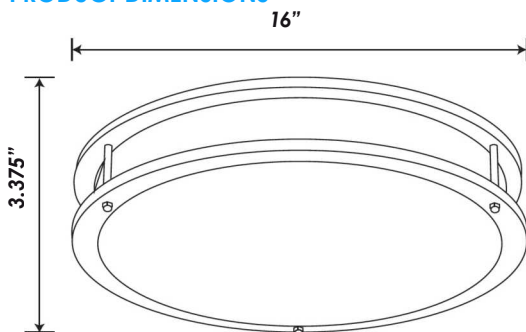
APPLICATIONS

- Offices
- Corridors, Stairways
- Bedrooms
- Closets and Foyers

CERTIFICATIONS & COMPLIANCE



PRODUCT DIMENSIONS



SPECIFICATION SUBMITTAL DETAIL

Project Name/Type:		Date:
Catalog/Part #:		

JFMD Flush Mount Decorative Luminaire Ordering Information / Example: JFMD-16-17W-30K-SN

Product Series	Size	Wattage	CCT	CRI	Input Voltage	Finish/Housing Color
JFMD	16 (16 inch)	17W	30K (3000K)	Blank (80 CRI) Standard	Blank (120-277V)	SN Standard (Satin Nickel Rings)

PERFORMANCE & ELECTRICAL DATA

Model	JFMD-16-17W
Maximum Dimensions (L x W x H)	16" x 3.4"
Nominal Watts	17W
Average Lumens	1700
Average Efficacy (lm/W)	100 lm/W
Weight (Lbs)	2.50 lbs.
Input Voltage (VAC)	120-277VAC
Power Factor	>0.9
CCT Options (K)	3500K
CRI	>80
Ambient Working Temp.	-10°C+45°C (-14°F to 113°F)
THD @ 120VAC (%)	<20%
Calculated L70 Lifespan (Hrs.)	L70 @ <60,000Hrs
Control Specification	Non-Dimming
Beam Angle / Field Angle (Nominal)	120°
Construction	Steel base with white powder coated and stain nickel rings with white plastic lens
Certifications & Compliance	ETL Listed for Damp Location / FCC / RoHS / Energy & JA8 Compliant
Limited Warranty	10 Year Warranty