

JGS Glass Sconce Luminaire Series



Product Description

JGS sconce fixture is updated with the latest in LED technology. It provides accent illumination that visually expands the space and creates a relaxing atmosphere.

Ideal for use in hallways, stairways, dining areas, foyers, and meeting rooms for residential and commercial applications. The long LED life coupled with exceptional color rendering make this fixture attractive for new or retrofit projects.

Product Features

- ETL
- 15" - 9W & 12W
- 30K, 35K, 40K
- 850L - 1100L
- White, Satin Nickel, Brown
- High-transmission frosted glass lens with excellent distribution and uniformity
- Direct replacement for fluorescent
- Full distribution LED luminaires
- 10-100% triac dimming, compatible with most triac dimming switches in the market
- 5 years warranty

Applications

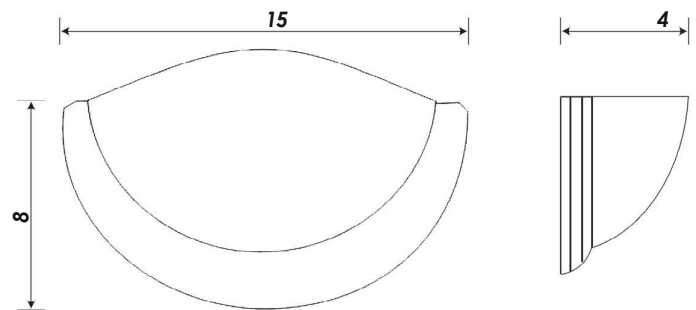
- Hotels & Motels
- Hospitals
- Hallways & Stairways
- Dining Areas
- Foyers & Meeting Rooms

Performance Summary

Size	15" x 4" x 8"
Input Power	12W
Efficacy	91.6 Lm/W Max.
CCT	3000K / 3500K / 4000K
Dimming	Triac Dimming
CRI	80
Input Voltage	120-277V
Lifetime Based on TM21	L70 @ >128,000 Hrs
Warranty	5 Years Limited



Dimensions



Information contained herein is subject to change without notice.
Values are nominal. All values conform to DLC tolerances.
Revised 01/2021



SPECIFICATION SUBMITTAL DETAIL

Project Name/Type:		Date:
Catalog/Part #:		

JGS Glass Sconce Luminaire

ORDERING INFORMATION / Example: **JGS-12W-940-MV-Brown**

Product Series	Wattage	CRI & CCT	Voltage	Housing Color
JGS	12W	830 - Ra 80, 3000K 835 - Ra 80, 3500K 840 - Ra 80, 4000K 850 - Ra 80, 5000K 930 - Ra 90, 3000K 935 - Ra 90, 3500K 940 - Ra 90, 4000K 950 - Ra 90, 5000K	120D (120V Dimmable) MV (120-277V)	White (White Base) Brown (Oil Rubbed Bronze Base) Satin (Satin Nickel Base)

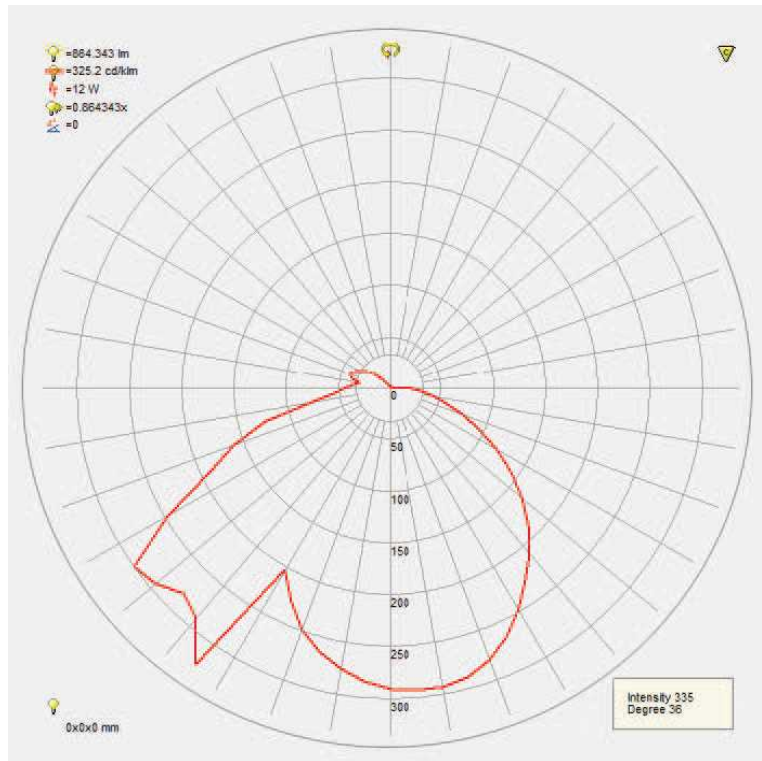
Data Table

Product Number	JGS-12W
Product Dimensions (L x W x H)	15" x 4" x 8"
Nominal watts	12W
Nominal Efficacy	91.6 Lm/W
Lumen Output @3000K	
Lumen Output @ 3500K	
Lumen Output @ 4000K	
Lumen Output @ 5000K	
Input Voltage	120-277VAC
CRI	80
THD @ 120VAC	
Power Factor	>0.9
CCT	3000K / 3500K / 4000K
Dimming	Triac Dimming
Power Supply	
Construction	Glass lens on metal base
Beam Angle / Field Angle	120°
Lifetime based on TM21	L70 @ >128,000 Hrs
Ambient Working Temp	-10°C to +45°C (+14°F ~ +113°F) Ambient
Certifications	ETL, RoHS
Total Weight	2.2 LBS
Limited Warranty	5 Years





Photometric Detail



Installation

