

# LED SURFACE EDGE-LIT THERMOPLASTIC EXIT SIGN



## Illumination

- Ultra bright, energy efficient, long life Red or Green LEDs.
- UV-stabilized ultra-clear acrylic edgelit panel provides consistent, uniform illumination.
- Double face utilizes factory installed silver or white mylar background panel.

## Electrical

- Dual 120/277 voltage.
- Charge rate/power "ON" LED indicator light and push-to-test switch for mandated code compliance testing.
- 4.8V long life, maintenance-free, rechargeable NiCd battery.
- Internal solid-state transfer switch automatically connects the internal battery to LED board and LED adjustable optics for minimum 90-minute emergency illumination.
- Fully automatic solid-state, two rate charger initiates battery charging to recharge a discharged battery in 24 hours.

## Mounting

- Easy-snap mounting canopy included for top, end, or back mount

## Housing

- Injection-molded, engineering grade 5VA, flame retardant, high-impact resistant thermoplastic housing in silver, white, or black finish.
- Self-adhesive Chevron appliques and guide template provided for directional indication.

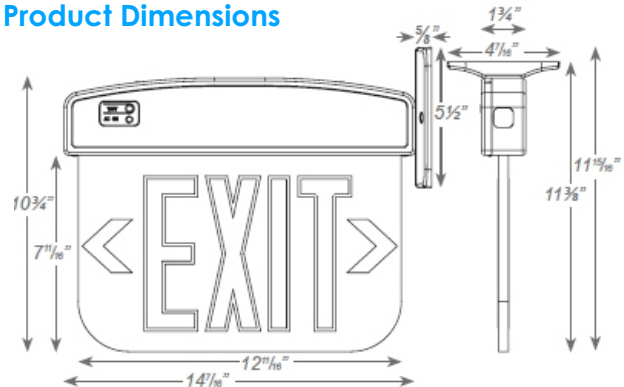
## Options

- 2C: Dual circuit option on the AC-only unit enables it to be connected to two different (one acting as a back-up to the other) supplies at the same time.
- SDT: Self-diagnostic feature performs monthly, biannual, and annual tests to ensure reliable operation and meets electrical and life safety codes.
- SPV: UL Listed for 208/220/240 Volt 50/60Hz
- Custom: Signs available with requested "special" wording.

## Warranty and Listings

- Five year warranty on all electronics and housing. Battery prorated for five years.
- Meets UL924, NFPA 101 Life Safety Code, NEC, OSHA, Local and State Codes.
- UL Listed for damp locations (0°C – 50°C).
- Certified to CEC under Title 20 Regulations.

## Product Dimensions



## ORDERING INFORMATION

Product Series	No of Faces	Letter Color	Panel	Trim Plate	Battery	Options
JES-ELS	SF (Single Face) DF (Double Face)	R (Red) G (Green)	C (Clear) M (Mirror) W (White)	WH (White) BK (Black) AL (Aluminum)	Blank (AC Only) EM (Battery Backup)	2C (Dual Circuit Operation) SDT (Self Diagnostics) SPV (208/220/240V) CST (Custom Wording)



Miami, FL USA - info@jademar.com  
T: 305.640.0465 - F: 305.640.0468  
WWW.JADEMAR.COM



Information contained herein is subject to change without notice.  
Values are nominal. All values conform to DLC tolerances.  
Revised 01/2021