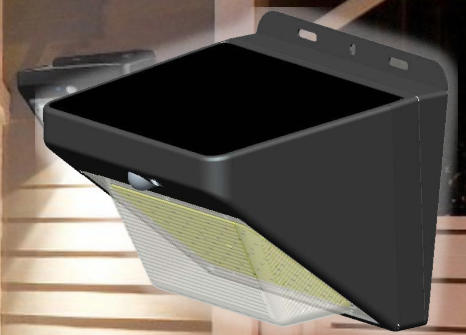


JADEMAR

I G H T I N G

PWP-SP Series Solar LED Series Wall Pack

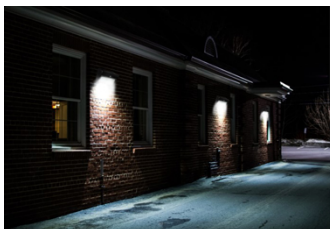


Product Features

- IP65 Rated
- Input voltage 5VDC
- No UV or IR in the beam
- Built-In Motion Sensor comes standard
- Energy saving and long lifespan
- Light is soft and uniform - safe on the eyes
- Instant start, NO flickering, NO humming
- Green and Eco-friendly without mercury

Application

- Entrance lighting for residential and commercial properties
- Outdoor landscape lighting and courtyard
- Industrial lighting



Performance Summary

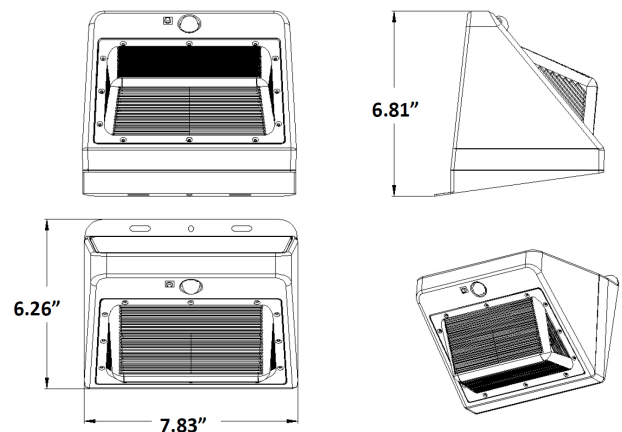
Input Power	5W
Efficacy	90-100 Lms/W
CCT Options	5000K
Actual Size	7.83" X 6.26" X 6.81"
Input Voltage	5VDC
Ingress Protection	IP65
Working Temperature	-20°C ~ +50°C
Viewing Angle	110°
Certifications & Compliance	FCC
Lumens	450-500 Lms

Unused solar fixtures must have their battery recharged every 3 months or damage can occur to the battery

Certifications & Compliance



Product Dimensions



Ordering Information

Project Name/Type:		Date:
Catalog/Part #:		

Product	Input Voltage	CCT/Color Temp.	Finish
PWP-SP-5W	5VDC	50K (5000K)	BK (Black) Standard

Packing Information

Qty/Ctn	Weight/Ctn	Carton Size
8 pcs.	17.64 lbs.	19.10" X 15.95" X 17.33"



Miami, FL USA - info@jademar.com
T: 305.640.0465 - F: 305.640.0468
WWW.JADEMAR.COM



Information contained herein is subject to change without notice.
Values are nominal. All values conform to DLC tolerances.
Revised 08/2021