

Project Name/Type:		Date:
Catalog/Part #:		

LED INDOOR THERMOPLASTIC REMOTE HEAD



ILLUMINATION

- Long lasting, efficient, ultra bright white LED lamp heads
- 1.0 watt (8 LEDs x 0.125 watt) per head
- High performance chrome-plated metalized reflector and plastic lens for optimal light distribution.
- Adjustable LED lamp heads provide optimal center-to-center spacing.
- Optional high lumen heads are 1.5 watts (12 LEDs x 0.125 watt per head) and provide increased center-to-center spacing.

ELECTRICAL

- Powered from low voltage power source with low voltage wiring (not provided)

MOUNTING

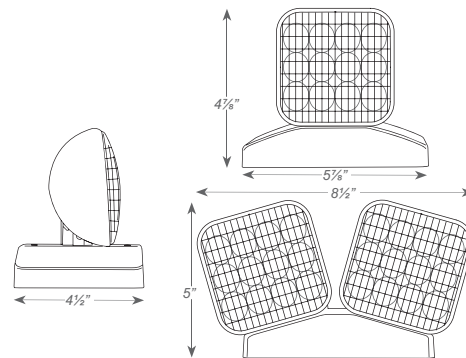
- Universal mounting adapter plate included. Mounts to single-gang switch box
- Distance of maximum run is determined by system voltage, wire gauge and total maximum wattage on the run.
- Suitable for wall or ceiling mount.

JEM-RH LED Indoor Thermoplastic Remote Head

ORDERING INFORMATION / EXAMPLE: JEM-RH

MODEL	No. of HEADS		OPTIONS		VOLTAGE		COLOR		LAMP TYPE ¹	
JEM-RH	1	Single Head	(Blank)	For Standard Non-Self-Diagnostic Fixtures	MV	For Use With 3.6V, 6V, 9.6V & 12V DC Power Source	(blank)	Gray	(blank)	8 LEDs 1W
	2	Double Head	SDT	For Use With Fixtures With A Self-Diagnostic Option			B	Black	HL	12 LEDs 1.5W

DIMENSIONS



WARRANTY/ LISTING

- Five year warranty
- UL Listed
- Meets UI924, NFPA 101 Life Safety Code, NEC, OSHA, Local and State Codes

HOUSING

- Injection-molded, engineering grade, 5VA flame retardant, high-impact resistance thermoplastic in white or black finish.

