

| | | |
|--------------------|--|-------|
| Project Name/Type: | | Date: |
| Catalog/Part #: | | |

LED OUTDOOR POLYCARBONATE/ DIE-CAST REMOTE HEAD



ILLUMINATION

- Long lasting, efficient, ultra bright white LED lamp heads
- 1.0 watt (8 LEDs x 0.125 watt) per head
- High performance chrome-plated metalized reflector and plastic lens for optimal light distribution.
- Adjustable LED lamp heads provide optimal center-to-center spacing.
- Optional high lumen heads are 1.5 watts (12 LEDs x 0.125 watt per head) and provide increased center-to-center spacing.

ELECTRICAL

- Powered from low voltage power source with low voltage wiring (not provided)

MOUNTING

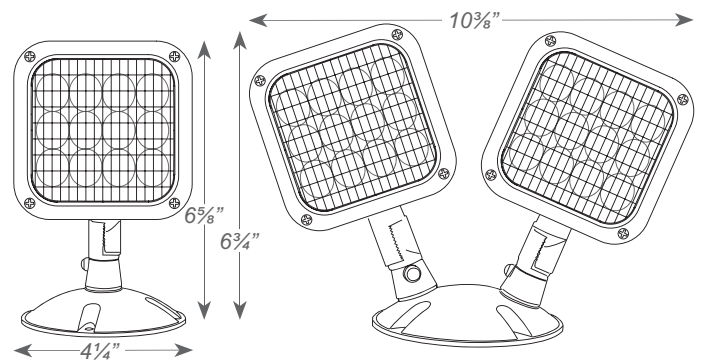
- Universal mounting adapter plate included. Mounts to single-gang switch box
- Distance of maximum run is determined by system voltage, wire gauge and total maximum wattage on the run.
- Suitable for wall or ceiling mount.

JEM Outdoor Polycarbonate / Die-Cast Remote Head

ORDERING INFORMATION / EXAMPLE: JEM-RH

| MODEL | No. of HEADS | OPTIONS | | HOUSING | | VOLTAGE | | COLOR | | LAMP TYPE | | |
|--------|--------------|-------------|-------|---|-----|----------|----|---|---------|-----------|---------|-----------|
| JEM-RH | 1 | Single Head | Blank | For Standard Non-Self-Diagnostic Fixtures | PWP | Die-Cast | MV | For Use With 3.6V, 6V, 9.6V & 12V DC Power Source | (blank) | Gray | (blank) | 8 LEDs 1W |
| | | | SDT | For Use With Fixtures With A Self-Diagnostic Option | WP | | | | B | Black | HL | |

DIMENSIONS



WARRANTY/ LISTING

- Five year warranty
- UL Listed
- Meets UI924, NFPA 101 Life Safety Code, NEC, OSHA, Local and State Codes

HOUSING

- Available in both engineering grade, high-impact resistant polycarbonate or premium grade die-cast aluminum housing.
- Sealed and gasketed in standard gray or black finish.

