

## HBS SERIES IP66 & IP69K RATED LED ROUND HIGH BAY

### INSTALLATION REQUIREMENTS

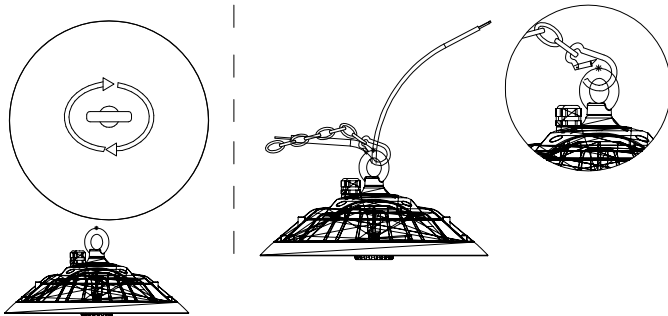


**WARNING:** Risk of electric shock and serious injury. SHUT OFF BREAKER AT PANEL BEFORE INSTALLING.

### INSTALLATION STEPS

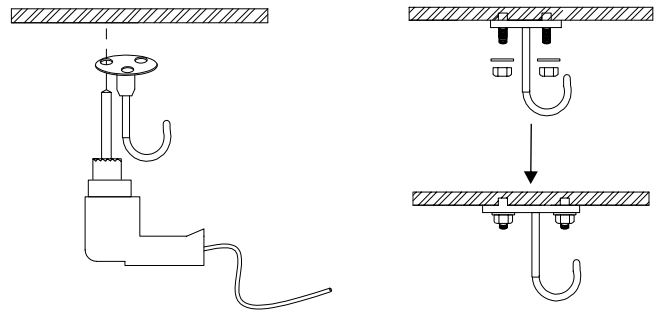
**Diagram 1:**

Fix the hook on the light (clockwise rotation). Link up the hook and carabiner.



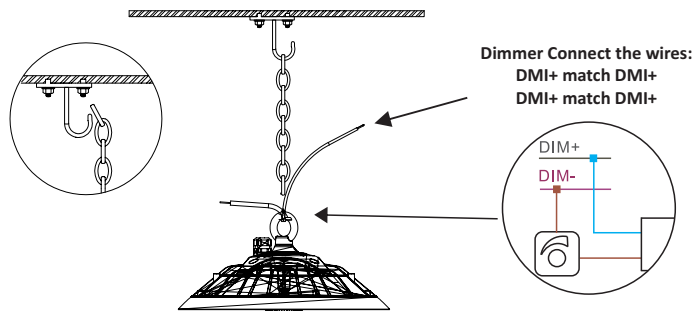
**Diagram 2:**

Use electric drill to bore a hole on the wall. Fix the hanger with the wall with screws.



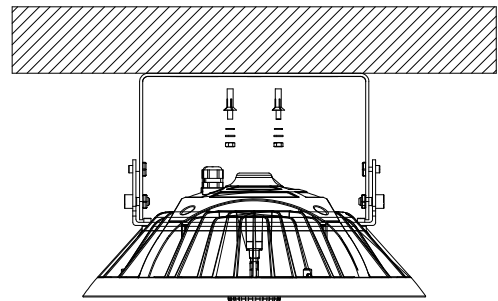
**Diagram 3:**

Fix one end of the chain to the wall, another end to the Eye-Hook from light, finish the installation.



**Diagram 4:**

Set the expansion screws to set the existing drilling hole. Fix the U-Bracket to the wall with accessories provided.



**Diagram 4:**

Use wrench to reverse hexagon nut to adjust the requested angle.

