

## JPRHBN "JEWEL" PREMIUM ROUND HIGH BAY NSF RATED SERIES

### INSTALLATION REQUIREMENTS

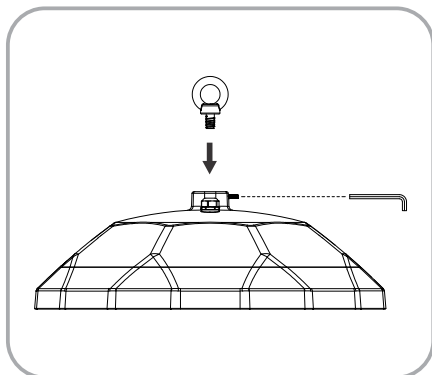


**WARNING:** Read this instruction carefully before installation. Keep it for further reference.

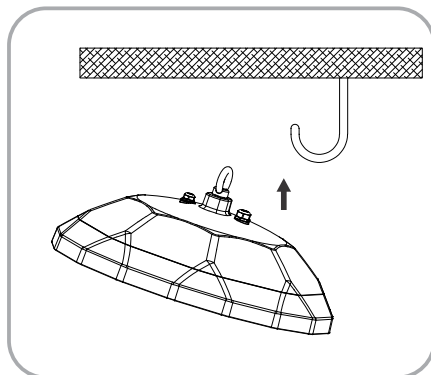
Make electrical and grounded connections in accordance with the national electrical code and any applicable code. Always turn off the power supply before installation. This product must be installed in accordance with the applicable installation code by a qualified electrician who is familiar with the construction and operation of the product and the hazards involved.

- Be careful to open the carton, contact us if any damage.
- This product must be installed in accordance with the applicable installation code by a person familiar with the construction and operation of the product and the hazards involved.
- "Caution - risk of shock" and "disconnect power before servicing" when photoelectric switch is turned on.
- Please check whether the voltage marked on the luminaire is consistent with the input voltage to be connected, so as not to damage the LED luminaire.
- To ensure the lifetime of the product, please do not use it in a place with strong acid mist.
- Make sure the installation position can withstand 10 times the weight of the luminaire before installation and install it at a flat place without vibrations, no swing, no fire hazard.

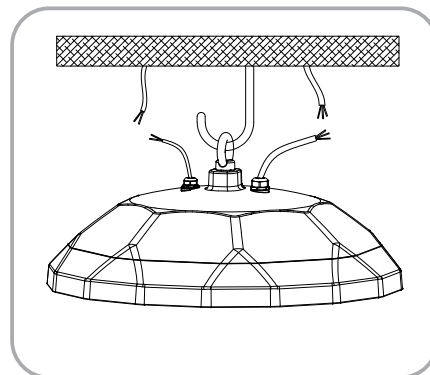
### INSTALLATION INSTRUCTIONS: HOOK INSTALLATION



1. Fix the ring to the lamp (rotate clockwise) tighten the screw

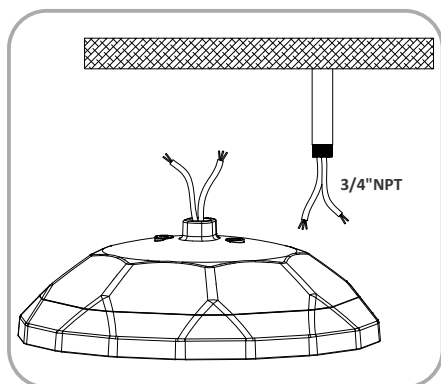


2. Put the ring into the mounting hook

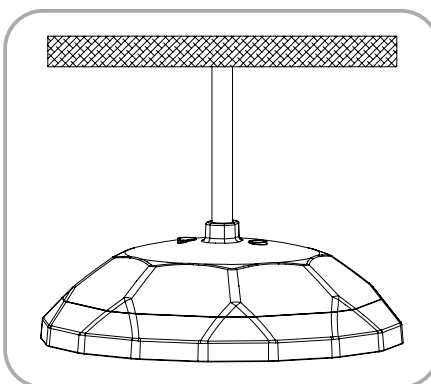


3. Wired as required under safety protection

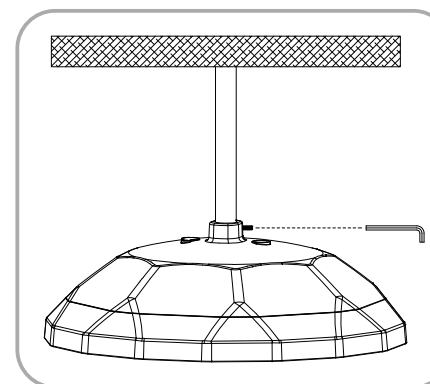
### INSTALLATION INSTRUCTIONS: PENDANT INSTALLATION



1. Wired as required under safety protection



2. Rotate the lamp to the mounting pipe (rotate clockwise)



3. Tighten the screw



## JPRHBN "JEWEL" PREMIUM ROUND HIGH BAY NSF RATED SERIES

### INSTALLATION INSTRUCTIONS: OVERVIEW

**Housing**  
IP66 & IP69  
Corrosion Resistant  
No harmful substances or chemicals

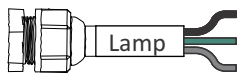
**Housing Color**  
Default: White (Blue, Orange, Red, Green and Grey  
Optional)



**LED driver**  
0-10V Dim;  
AC120-277V/ AC120-347V

**Built-in motion Sensor**  
Microwave sensor  
Installed in the middle of Lens

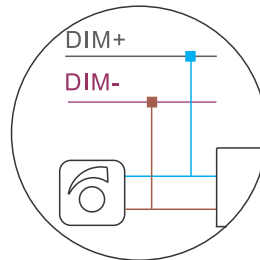
### INSTALLATION INSTRUCTIONS: WIRING DIAGRAM



L-black  
GND-green  
N-white

100-480VAC

50/60Hz



Dimmer connect the wires:  
DMI+ match DMI+;  
DMI- match DMI-

### INSTALLATION INSTRUCTIONS: TROUBLESHOOTING

PROBLEM	POSSIBLE CAUSE	SOLUTION
Light will not come on	A.Light switch is turned off. B.Fuse is blown or circuit breaker is turned off. C.Incorrect circuit wiring.	A.Turn light switch on. B.Replace fuse or turn circuit breaker on. C.Verify that fixture is wired properly.

