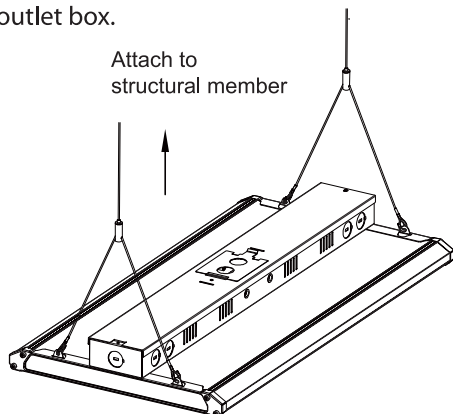
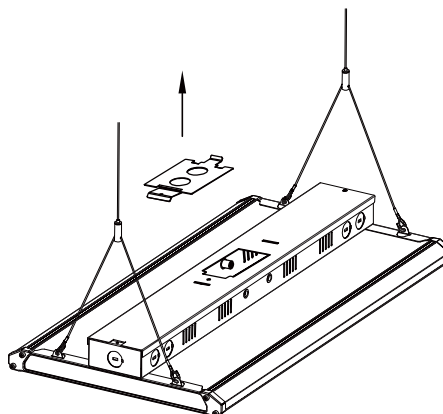


## JLHB LINEAR HIGH BAY SERIES WITH AIRCRAFT CABLE MOUNTING

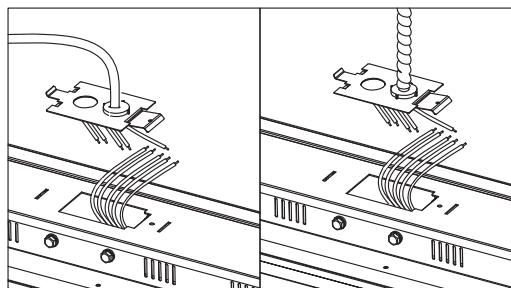
1. Hang two aircraft cables from a structural member of the ceiling. Fixture must be supported independently of an outlet box.



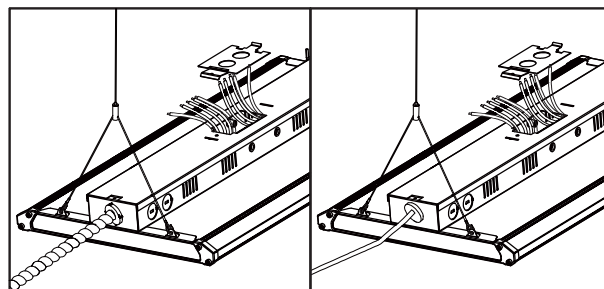
2. Remove power access plate.



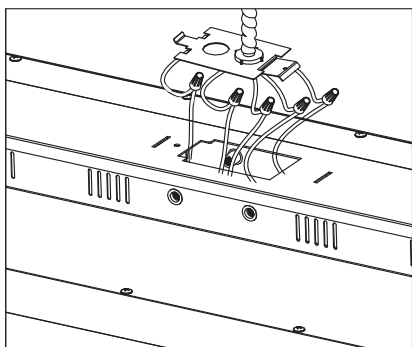
3. Power input from top: install 1/2" conduit or install AC power cord with strain relief into power access plate.



4. Power input from side: Remove knockout in endcap and install 1/2" conduit, or B) install AC power cord with strain relief. Plug unused hole on power access plate with appropriate fitting



5. Connect the green (ground), black (line), white (neutral), Purple (Dim+) and Gray (Dim-) wires of the AC line to the similarly colored wires of the fixture's power supply using UL listed connectors. Place all connections and exposed wire inside of fixture and reattach power access plate.



6. Place all connections and exposed wire inside of fixture and reattach power access plate.

