

## JPTR SERIES

### ARCHITECTURAL IC RATED PREMIUM INTELLIGENT VOLUMETRIC TROFFER WITH TUNABLE WHITE OPTION (2700K-6000K)

#### PRODUCT DESCRIPTION

The JPTR Troffer is a volumetric style troffer designed to provide soft, glare-free, ambient lighting in office, classroom, medical, retail and other interior lighting applications.

The JPTR series features multiple dimming, control and sensor options to operate with 0-10VDC dimming, site programmed daylight/occupancy control or interfaced with building automation networks. High efficiency with up to 130 lm/W provide specification flexibility to achieve maximum ROI and premium rebate qualifications.

The JPTR series features standard recessed mounting with optional accessories for maximum flexibility in retrofit applications requiring surface or existing drywall installation.

#### STANDARD FEATURES

##### Construction and Materials

- Cold Rolled Steel / Powder Coated Matte Finish / Polycarbonate Lens / Integrated T-Bar Clips

##### Optical System

- 120° / 165° Light Distribution

##### Electrical System

- Primary Input Power: 36W and 45W
- Input Voltage: 120-347VAC
- Efficacy: 130 lm/W on average
- Power Factor: >0.9
- CRI: >80
- Operating Temp: -25°C to +45°C (-13°F ~ +131°F) Ambient
- Total Harmonic Distortion: 15%
- Integral Surge Protection: L/N-PE: 2kV, L-N: 2kV

##### Dimming and Controls

- 0-10V Continuous Dimming Standard

##### Certifications and Compliance

- ETL Listed / IC Rated
- Ingress Protection: IP20 Suitable for Damp Locations
- RoHS compliant.
- Meets FCC Part 15, Subpart B, Class A limits for conducted and radiated Emissions
- **Lifetime Based on TM21:** L70 ≥ 181,000 Hrs / L80 ≥ 132,000 Hrs / L90 ≥ 101,000 Hrs

#### RECESSED PLENUM INSTALLATION

Slim profile 2.59" for shallow plenum applications



**Bluetooth® Controlled Integrated Dual Occupancy and Daylight Sensor**



#### PERFORMANCE SUMMARY

<b>Input Power</b>	1' x 4' in 36W 2' x 2' from 24W / 30W / 36W 2' x 4' from 24W / 36W / 45W
<b>Max Dimensions</b>	1' x 4' / 2' x 2' / 2' x 4'
<b>Efficacy</b>	130 lm/W
<b>CRI</b>	>80CRI Standard, >90 Optional
<b>CCT</b>	CCT Selectable: 3500K / 4000K / 5000K Static CCT: 3000K Special Order
<b>Input Voltage</b>	100-347VAC options
<b>Dimming &amp; Control</b>	0-10V Continuous Dimming Standard
<b>Ingress Protection</b>	IP20 for Damp Locations
<b>Mounting</b>	Dry Wall or Surface Mount
<b>Lifetime Based on TM21</b>	L70 ≥ 206,000 / L80 ≥ 161,000 / L90 ≥ 134,000 Hrs
<b>Limited Warranty</b>	10 Years

#### OPTIONAL FEATURES

- Additional driver options: Dim-to-Off, DALI
- Bluetooth® Ready Fixture Integrated Microwave Occupancy Sensor
- Bluetooth® Ready Fixture Integrated Compact Dual Function PIR Occupancy and Daylight Sensor Compatible with JADEMAR Bluetooth iOS and Android Smart phone apps
- Controls features: Grouping and Zoning, Scheduling, Auto-Footcandle Setting, Capable of adding additional users with discrete credentials
- Stand Alone Fixture Integrated Bi-level Microwave Occ Sensor - Internal Sensor/Behind Lens
- Tunable White Feature Adder

#### Bluetooth® Mesh Network Ready



Project Name/Type:		Date:	
Catalog/Part #:			

**JPTR VOLUMETRIC ARCHITECTURAL IC RATED PREMIUM INTELLIGENT TROFFER SERIES**

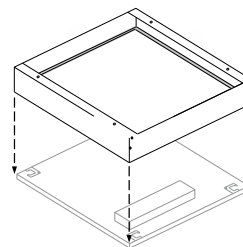
ORDERING INFORMATION / Example: **JPTR22-36W-H-CT-DSP-D-BT-MWOS-EM8-MC6**

Product Series	Size	Wattage	Input Voltage	CCT	CRI	Controls & Dimming	Emergency Backup	Other Options
JPTR	22 (2' x 2')	36W (36W/30W/24W)	H (100-347VAC)	CT-DSP-D (CCT & Power Selectable) 3500K/4000K/5000K	Blank (80 CRI) Standard  90 (90 CRI)	BT-MWOS (Bluetooth Ready Fixture Integrated Microwave Occupancy Sensor)	EM8 (8W EM)  EM15 (15W EM)	MC6 (6ft - 3/8" cable, 1/2 quick connectors 5-Wire)  MC6-7 (6ft - 3/8" cable, 1/2 quick connectors 7-Wire)
	24 (2' x 4')	45W (45W/36W/24W)		TW (Tunable White 27K-65K)		BT-HODS (Bluetooth Ready Fixture Integrated Compact Dual Function PIR Occupancy and Daylight Sensor)		
	14 (1' x 4')	36W (36W)		30K (3000K)* 35K (3500K) 40K (4000K) 50K (5000K)		BMWO (Stand Alone Fixture Integrated Bi-level Microwave Occ Sensor - Internal Sensor/Behind Lens)  JICS-BT-SC (Single Channel Bluetooth Indoor Controls System)		

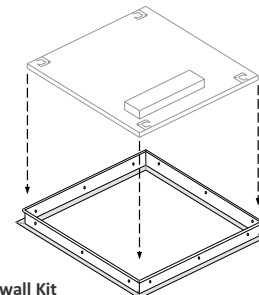
\* 3000K is Special Order

**FIELD INSTALLED OPTIONS**

BMWO-RC	Hand held remote control for BMWO
JICS-BT-WSR/S	Bluetooth Wireless Battery Powered Surface or Recessed Mounted Wall Control
CC	Caddy Clip (4 pcs per fixture included)
SMK22	2x2 Surface Mounting Kit - Size 24" (W) x 24"(L) x 3-3/8" (H)
SMK24	2x4 Surface Mounting Kit - Size 24" (W) x 48"(L) x 3-3/8" (H)
DWK22	2x2 Drywall Mounting Kit (Flange Kit / Hard Ceiling)
DWK24	2x4 Drywall Mounting Kit (Flange Kit / Hard Ceiling)



Surface Mounting Kit



Drywall Kit

**LUMEN PERFORMANCE AND ELECTRICAL DATA**

Product Number	Primary Use	Wattage	Average Lumens	Average Efficacy	THD	PF	CRI (Ra)	Input Voltage	CCT Options
JPTR14-40W	1x4	36W	5200	130.0	18	0.9	80	120-277VAC	Static CCT (3500K/4000K/5000K) 30K (30K Static CCT Special Order)
JPTR22-36W	2 x 2	36W	4680	130.0	15	0.9	83	100-347VAC	CT-DSP-D CCT & Power Selectable (3500K/4000K/5000K) TW (Tunable White 2700K-6500K) 30K (30K Static CCT Special Order)
		30W	3900	130.0	15	0.9	83		
		24W	3120	130.0	15	0.9	83		
JPTR24-45W	2 x 4	45W	5850	130.0	12	0.9	84	100-347VAC	
		36W	4680	130.0	12	0.9	84		
		24W	3120	130.0	12	0.9	84		

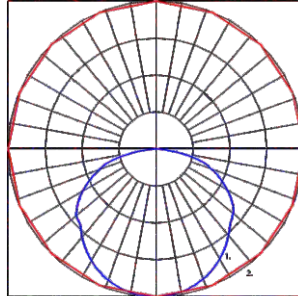
Maximum	1' x 4' (48" x 12" x 2") • 2' X 2' (24" x 24" x 3") • 2' X 4' (24" x 48" x 3")
Dimming & Controls	1-10VDC / Bluetooth 4.0 - 2405-2480 MHZ / Occupancy Sensor Range 6M / Detection Angle 120°
Construction	Cold Rolled Steel / Powder Coated Matte Finish / Polycarbonate Lens / Integrated T-Bar Clips
Beam Angle/Field	120° / 165°
Lifetime Based on TM21	L70 @ 206,000 Hrs. / L80 @ 161,000 Hrs. / L90 @ 134,000 Hrs.
Ambient Working	-25°C to +45°C (-13°F ~ +131°F) Ambient
Certifications	UL Listed / IC Rated
Limited Warranty	10 Yrs



### PHOTOMETRIC DETAIL

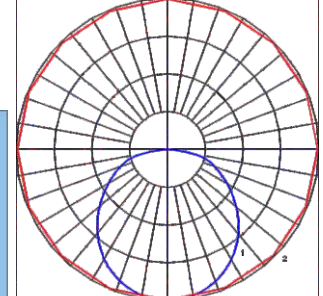
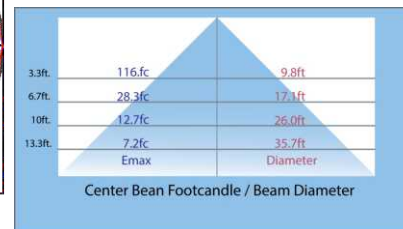
#### JPTR22-24W

Spacing Criteria (0-180)	1.24
Spacing Criteria (90-270)	1.28
Spacing Criteria (Diagonal)	1.38



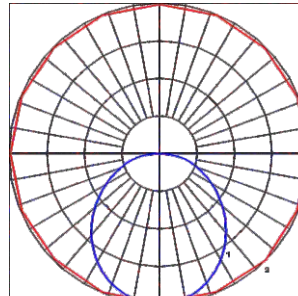
#### JPTR24-24W

Spacing Criteria (0-180)	1.24
Spacing Criteria (90-270)	1.28
Spacing Criteria (Diagonal)	1.38



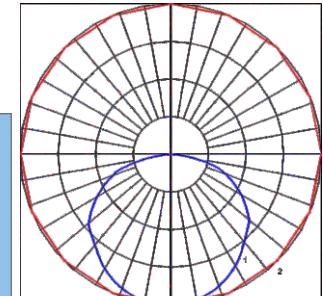
#### JPTR22-36W

Spacing Criteria (0-180)	1.20
Spacing Criteria (90-270)	1.26
Spacing Criteria (Diagonal)	1.34



#### JPTR24-45W

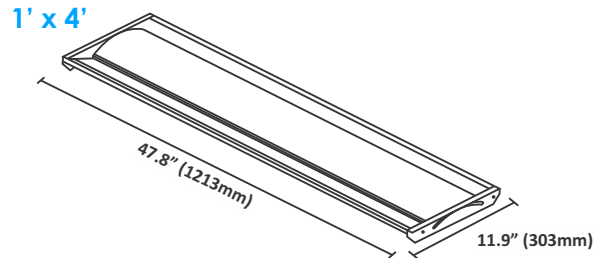
Spacing Criteria (0-180)	1.20
Spacing Criteria (90-270)	1.26
Spacing Criteria (Diagonal)	1.36



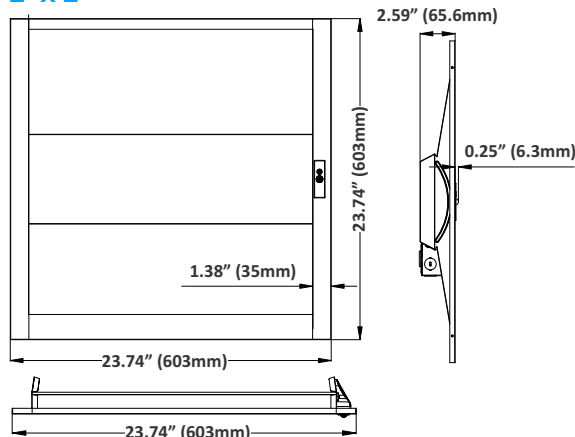
### PRODUCT CONSTRUCTION AND DIMENSIONS

**Structural Components:** 22 gauge cold rolled steel  
**Total luminaire and power supply profile:** 2.6 inch  
**Ingress Protection:** IP20

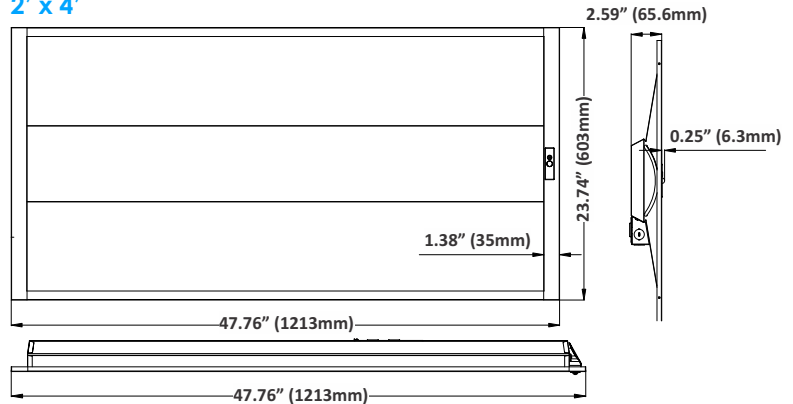
**Luminaire Finish:** Matte white epoxy powder coat  
**Diffuser:** Impact modified polycarbonate  
**Electrical junction box:** Provided and integrated to luminaire



#### 2' x 2'



#### 2' x 4'



The Jademar Intelligent Troffer is designed to give designers, specifiers and facility managers maximum control flexibility all-in-one luminaire. The JPTR series provides options from stand alone dimming to single fixture or group occupancy and daylight control to fully integrated building control networking.

Multiple Class P driver options allow for control via 1-10VDC, 0-10VDC, PWM, DALI or PoE. Available accessories provide wireless switch control and BAS network interfaces.

The easy to use Bluetooth Programming and Controller App allows for initial fixture and group setup or active occupant control as desired.

#### WIRELESS BLUETOOTH LIGHTING CONTROL SYSTEM

**Auto-brightness Setting:**  
Ambient lighting & energy-saving

**Dim UP/Down**

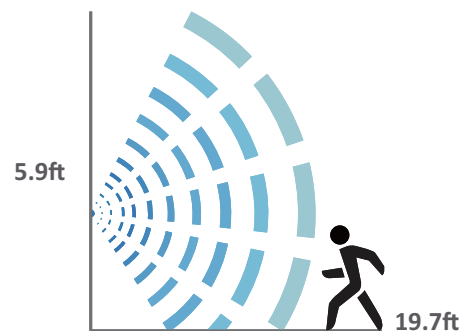
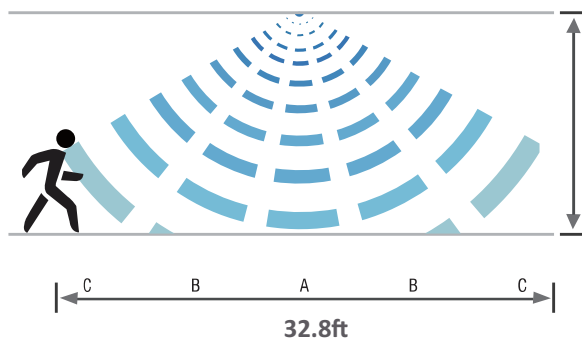
**Scene Switch:**  
Three scenes at most

**ON/OFF**

Download on the **App Store**

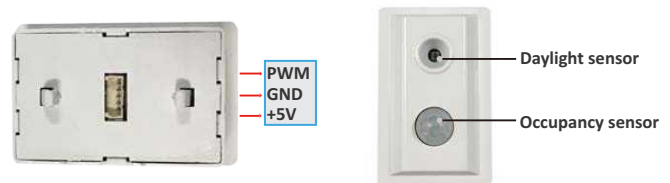
GET IT ON **Google Play**

- Group Control
- Dimming
- OTA
- Schedule
- Instant Scene
- Auto-Brightness
- Auto-Calibration
- High-End Trim

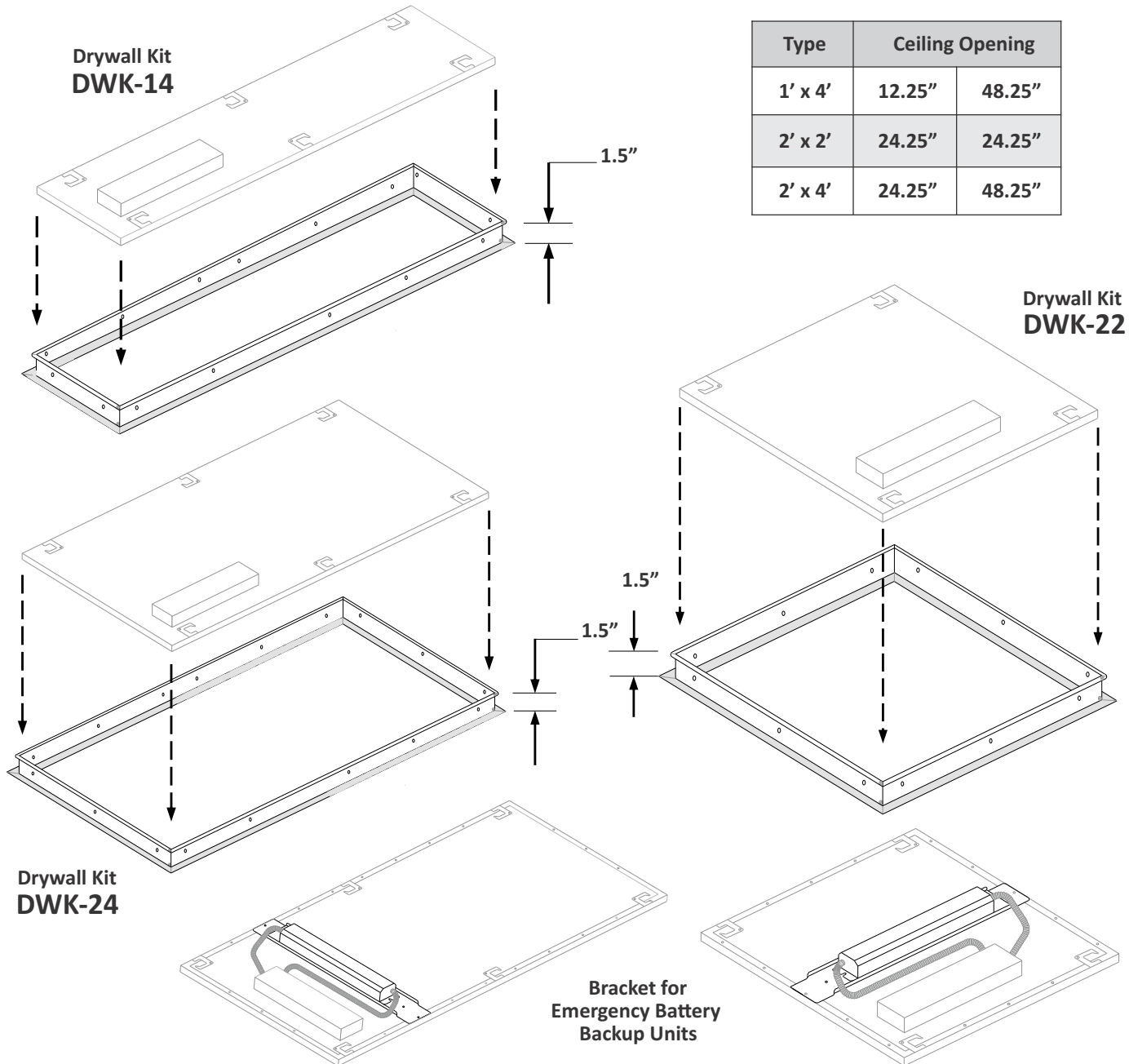


#### LUMINAIRE INTEGRATED SMART SENSOR FEATURES

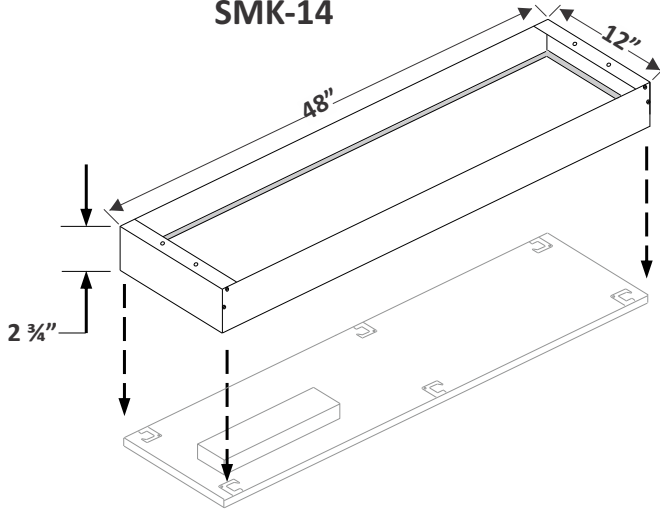
- Occupancy Sensor and Daylight harvesting sensor
- Embedded Bluetooth communication module
- Three Interfaces: DC+5V/GND/PWN
- Low profile fully integrated design
- Operated by Light Remote LED App
- Working Temperature: -20°C ~ -45°C



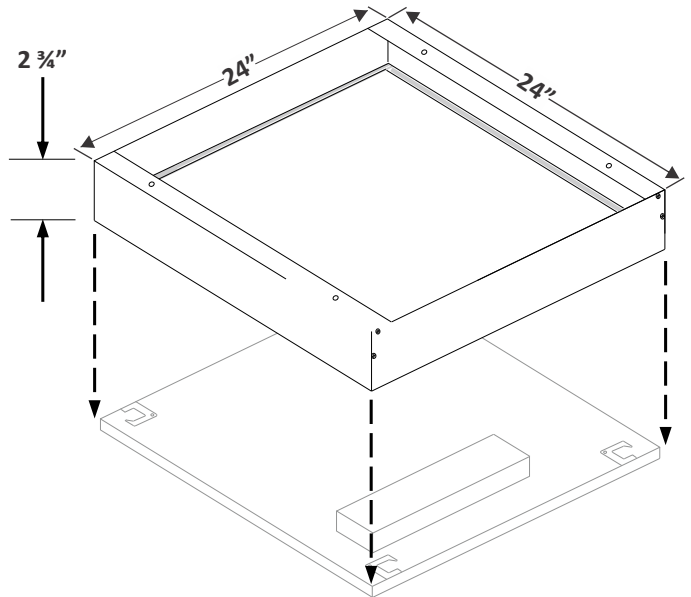
Optional Dry Wall Mounting Kits provides for recessed installation on plaster or other hard ceilings. Attach Drywall Kit to Ceiling joists or other stationary structures, and the panel is mounted flush to the ceiling.



Surface Mounting Kit  
SMK-14



Surface Mounting Kit  
SMK-22



Surface Mounting Kit  
SMK-24

