

REMOTE CAPABLE LED SURFACE MOUNT EXIT SIGN

illumination

- Ultra bright, energy efficient, long life Red or Green LEDs.

Electrical

- Dual 120/277 voltage.
- Offers 11W of remote capacity standard.
- Charge rate/power "ON" LED indicator light and push-to-test switch for mandated code compliance testing.
- LVD (low voltage disconnect) prevents battery from deep discharge.
- 6V maintenance-free, rechargeable sealed lead acid battery.
- Internal solid-state transfer switch automatically connects the internal battery to LED board and remote lamp heads for minimum 90-minute emergency illumination.
- Fully automatic solid-state, two rate charger initiates battery charging to recharge a discharged battery in 24 hours.

Mounting

- EZ-snap mounting canopy included for top or end mount.
- Universal knockout pattern on back plate for wall mount.

Housing

- Injection-molded, engineering grade, 5VA flame retardant, high-impact resistant, thermoplastic in white or black finish.
- EZ snap-out Chevron directional indicators.

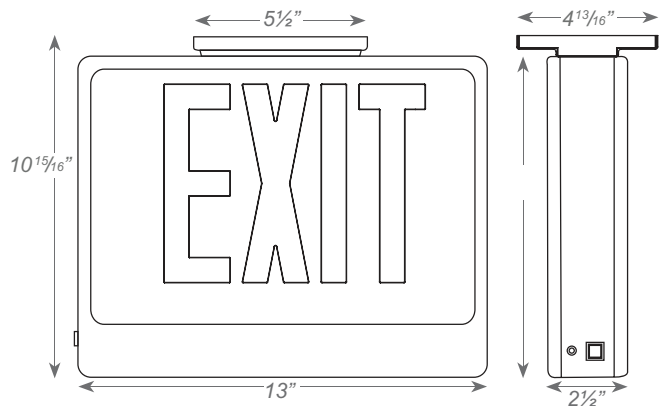
Options

- HTR: Optional internal heater for cold temperature (-9°C – 50°C) applications.

Warranty and Listings

- Five year warranty on all electronics and housing. Battery prorated for two years.
- Meets UL924, NFPA 101 Life Safety Code, NEC, OSHA, Local and State Codes.
- Meets CSA C22.2 No. 141-02 requirements for unit equipment.
- Class 2 wiring approved
- UL Listed for damp locations (20°C – 50°C).
- Certified to CEC under Title 20 Regulations.

Product Dimensions



ORDERING INFORMATION

Product Series	No of Faces	Letter Color	Housing Color	Battery	Options
JES-RC	DF (Double Face)	R (Red) G (Green)	W (White) B (Black)	EM (Battery Backup)	HTR (Internal Heater)



Miami, FL USA - info@jademar.com
T: 305.640.0465 - F: 305.640.0468
WWW.JADEMAR.COM



Information contained herein is subject to change without notice.
Revised 01/2021

Project Name/Type:		Date:
Catalog/Part #:		

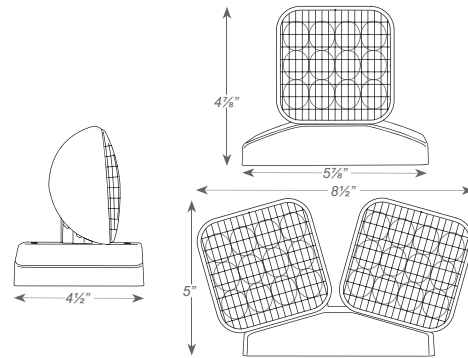
LED INDOOR THERMOPLASTIC REMOTE HEAD



ILLUMINATION

- Long lasting, efficient, ultra bright white LED lamp heads
- 1.0 watt (8 LEDs x 0.125 watt) per head
- High performance chrome-plated metalized reflector and plastic lens for optimal light distribution.
- Adjustable LED lamp heads provide optimal center-to-center spacing.
- Optional high lumen heads are 1.5 watts (12 LEDs x 0.125 watt per head) and provide increased center-to-center spacing.

DIMENSIONS



ELECTRICAL

- Powered from low voltage power source with low voltage wiring (not provided)

MOUNTING

- Universal mounting adapter plate included. Mounts to single-gang switch box
- Distance of maximum run is determined by system voltage, wire gauge and total maximum wattage on the run.
- Suitable for wall or ceiling mount.

WARRANTY/ LISTING

- Five year warranty
- UL Listed
- Meets UI924, NFPA 101 Life Safety Code, NEC, OSHA, Local and State Codes

HOUSING

- Injection-molded, engineering grade, 5VA flame retardant, high-impact resistance thermoplastic in white or black finish.

JEM-RH LED Indoor Thermoplastic Remote Head

ORDERING INFORMATION / EXAMPLE: JEM-RH

MODEL	No. of HEADS		OPTIONS		VOLTAGE		COLOR		LAMP TYPE ¹	
JEM-RH	1	Single Head	(Blank)	For Standard Non-Self-Diagnostic Fixtures	MV	For Use With 3.6V, 6V, 9.6V & 12V DC Power Source	(blank)	Gray	(blank)	8 LEDs 1W
	2	Double Head	SDT	For Use With Fixtures With A Self-Diagnostic Option			B	Black	HL	12 LEDs 1.5W

