

JACUDO TRIO ARCHITECTURAL CIRCULAR PENDANT LUMINAIRE

LIMITLESS CURVE LIGHTING: JACUDO TRIO stylish lighting system, through the sublimation from straight line to curve, transformation from 2D to 3D, linear lighting is brought with a brand-new revolutionary experience.

The basic modules can constitute standard circular luminaires with the diameter of 59" for independent application. Multiple light emitting directions are optional: lighting downward, lighting outward and lighting inward. The light emitting modes are optional according to the scenes as well, so as to create different atmospheres.

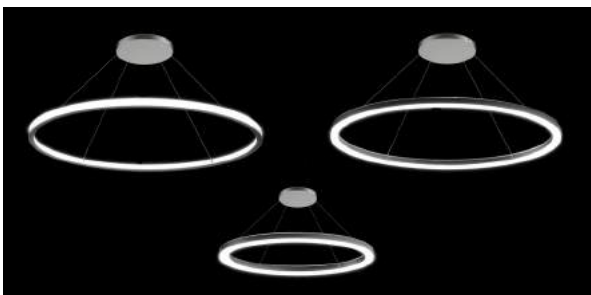


BLUETOOTH CONTROLLED
INTEGRATED DUAL OCCUPANCY
AND DAYLIGHT SENSOR

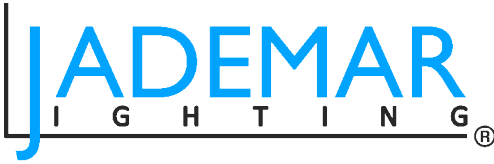


- Circular luminaires with different lighting directions;
- High quality surface treatment, three optional colors of black, white and silver;
- Adopt silicone flexible diffuser, producing homogeneous & so lighting;
- Pendant cable and wire in one, beautiful overall effect;
- Two installation ways: pendant and surface mounted.

- Conductive Suspension Kit - Invisible Power Cord Standard
- External Driver
- 80 CRI Standard, 95 CRI Optional
- Standard White/Silver/Black Frame Options
- Warranty - 10 Years



SPECIFICATION SUBMITTAL DETAIL



Project Name/Type:		Date:
Catalog/Part #:		

JACUDO TRIO Architectural Circular Luminaire Uplight/Downlight/Inward/Outward Light Pendant

Ordering Information: **JACUDO-59-210W-IO-27K-90-JICS-BT-SC-WH-SUK8-EM15**

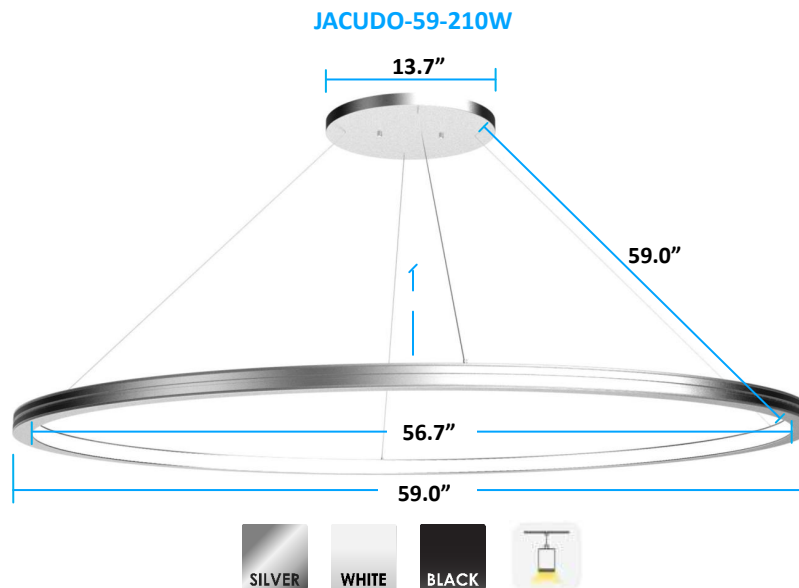
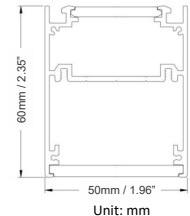
Product Series	Light Distribution	Input Voltage	CCT	CRI	Controls & Dimming	Frame Color	Mounting	EM Pack
JACUDO-59-210W	UD (Up & Downlight)	Blank (100-277VAC)	19K (1900K) 23K (2300K) 27K (2700K) 30K (3000K) 35K (3500K) 50K (5000K) 40K (4000K)	Blank (80 CRI) Standard	JICS-BT-SC (Bluetooth Controller)	WH (White) Standard	Blank (Suspended Aircraft Cable 5FT)	EM15 (Field Installed Self Diagnostic EM Pack 15W)
	IO (Inward & Outward Light) IN (Inward Light) OU (Outward Light)		95 (95 CRI)	SV (Silver) BK (Black)		SUK8 (Suspended Aircraft Cable 8FT)		

PERFORMANCE AND ELECTRICAL DATA

Product Series	Size	Wattage	Input Voltage	CCT	Flux (Lms)	CRI	Beam Angle	Dimming	Power Factor
JACUDO-59-210W-IO	∅59"	210W	100-277VAC	1900K 2300K 2700K	5200	>80	120°	0-10V Dimming	>0.5
JACUDO-59-210W-IN	∅59"	210W		3000K 3500K 4000K	8200				
JACUDO-59-210W-OU	∅59"	210W		5000K 6000K	8200				

FOR THE 3 RING SET SEE CHART BELOW

1 x JACUDO-59-210W-INO	Circular pendant 59", 210W, in/out, 5300L – HORIZONTAL CIRCLE, ONE THE OUTER RINGS
1x JACUDO-59-210W-OU	Circular pendant 59", 210W, outward, 8200L – HORIZONTAL CIRCLE, ONE THE OUTER RINGS
1 x JACUDO-59-210W-IN	Circular pendant 59", 210W, inward, 8200L – VERTICAL CIRCLE, CENTER RING



NOTE: Driver is remote inside the canopy
Conductive Suspension Kit - Invisible Power Cord Standard



Miami, FL USA - info@jademar.com
T: 305.640.0465 - F: 305.640.0468
WWW.JADEMAR.COM



Information contained herein is subject to change without notice.
Values are nominal.
Revised 04/2022