

JADEMAR LIGHTING

PERIMILUX™ JAUTO SERIES WIRELESS SENSOR AND CONTROLS READY AREA LUMINAIRE FOR AUTO DEALER LOT

PRODUCT DESCRIPTION

The Jademar JAUTO Luminaire series is designed to provide precisely directed area illumination in auto dealership lots, retail lots and other exterior applications for general illumination.

The JAUTO series features proprietary asymmetric optics designed with backlight and sharp edge cutoff characteristics to control light trespass and direct illumination for enhanced product display. Additionally, modular optic arrays are field adjustable to accommodate lot corners, property lines and configuration of display areas using the same installed luminaire.

Tool-less entry and a universal mounting bracket allows the JAUTO luminaire to be installed quickly and easily by just one person. Multiple pole mount tenon options provide for flexibility to mount in any type of new or retrofit applications.

The JAUTO series includes 12VDC – PWM – Resistance dimming standard and a NEMA socket for 3/7 pin photosensor socket for simple standalone control or integration into wired or wireless networked control scenarios.

PRODUCT FEATURES

- Thermal Sensing and Protection for LED Modules/Light Engines
- 0-10V/PWM/Timer Dimmable Standard (DALI Dimming Optional)
- Dim-to-Off
- Auxiliary Power Output: 12VDC Output
- Input Surge Protection: 6kV line-line, 10kV line-earth (Additional 20KV Surge protector integral to power supply)
- IES Types II / III / IV / V Optics with a field rotatable optic
- 100-277VAC & 277-480VAC Options
- NEMA 7 pin Socket Standard
- All weather Epoxy Powder Coated Aluminum Construction ADC12
- Adjustable Slip Fitter or Fixed Tenon Mount Options
- 10 Years Warranty

APPLICATIONS

- Auto dealer lot
- Commercial and Industrial Parking Lots
- Wall mounting applications for industrial building where higher mounting options are required

CERTIFICATIONS & COMPLIANCE



Miami, FL USA - info@jademar.com
T: 305.640.0465 - F: 305.640.0468
WWW.JADEMAR.COM



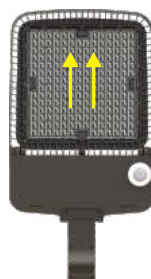
PERFORMANCE SUMMARY

Input Power	75W / 100W / 120W / 145W / 200W / 230W / 300W
Efficacy	Up to 170 lm/W
CCT	4000K / 5000K
CRI	>80 / >90
Input Voltage Options (VAC)	120-277VAC / 347-480VAC
Standard Power Supply	12VDC Output - PWM - Resistance Dimmable 20kV Surge Protection
Power Factor	>0.95
Ambient Working Temp.	-40F to +122F
THD @ 120VAC (%)	<15%
Lifetime Based on TM21	L70 @ 187,000Hrs / L80 @ 162,000Hrs / L90 @ 138,000Hrs
Control Options	NEMA Type 3 or 7-Pin Receptacle / Microwave Bi-Level Motion Sensor Option / Z Types 5 Pin socket / Wireless Sensor and Controls Ready
Ingress Protection (IP)	IP66
Luminaire EPA (Sq. Ft.)	See Options at Page 4
Luminaire Housing	Tool-less Entry / Detachable Optics & Module Mount / Cast Aluminum ADC12 / Epoxy Powder Coat Finish / Acrylic Lenses
Certifications & Compliance	ETL Listed / Dark Sky Compliant
Limited Warranty	10 Yrs.

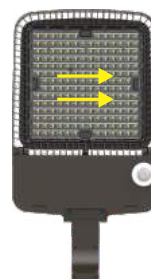
The unique JAUTO field rotatable optic provides design flexibility and field adjustability

Field rotation simplifies site installation. Simple lens rotation generates different light distributions in different directions.

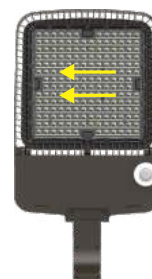
No change to fixture installation and EPA.



Birds-Eye View
Optic Forward (OF)

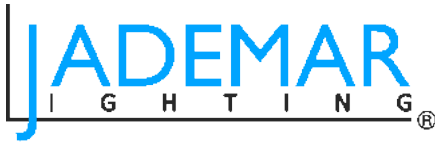


Birds-Eye View
Optic Left (OL)



Birds-Eye View
Optic Right (OR)

Information contained herein is subject to change without notice.
Values are nominal. All values conform to DLC tolerances.
Revised 09/2022



SPECIFICATION SUBMITTAL DETAIL

Project Name/Type:	Date:
Catalog/Part #:	

PERIMILUX™ JAUTO SERIES WIRELESS SENSOR AND CONTROLS READY AREA LUMINAIRE
ORDERING INFORMATION / Example: JAUTO-150W-HE-H-30K-90-T3-BMWO-BZ-OF

Product Number	Input Voltage	CCT	CRI	Light Distribution	Controls & Dimming	Finish/Housing Color	Optic Position
JAUTO-75W-HE JAUTO-100W-HE JAUTO-120W-HE JAUTO-145W-HE JAUTO-200W-HE JAUTO-230W-HE JAUTO-300W-HE	Blank (120-277VAC) H (347-480VAC)	30K (3000K) 40K (4000K) 50K (5000K)	Blank (80 CRI) 90 (90 CRI)	T2 (Type 2) T3 (Type 3) T4 (Type 4) T5 (Type5)	Blank (0-10V Dimming) BMWO (Microwave Bi-Level Motion Sensor) JICS-BT-SC (Bluetooth Fixture Controller) PCR-3 (3 Pin Nema Receptable) PCR-5 (5 Pin Nema Receptable) PCR-7 (7 Pin Nema Receptable)	BZ (Bronze RAL# 8634) Standard CC (Custom Color)* <i>*Special Order- must Specify Color</i>	OF (Optic Forward) OL (Optic Left) OR (Optic Right)

IMPORTANT: A MOUNTING OPTION MUST BE SELECTED AND ORDERED AS A SEPARATE LINE ITEM

FIELD INSTALLED OPTIONS

JAUTO-UB	Universal Bracket Mount (Wall/ Square & Round Pole Mount in One)
JAUTO-SF	Slipfitter Mount
JAUTO-PPMS-RC	Hand Held Remote Control for Motion Sensor
PC3	3-Pin Photocell 120-277V
PC3-H	3-Pin Photocell 347-480V
PC3-SC	3-Pin Photocell Shorting Cap
JAUTO-TB	Tandem Bracket
JAUTO-FBS-100-120W	Universal Bracket Mount (Wall/ Square & Round Pole Mount in One)
JAUTO-HSS-100W	House Side Shield for 75W-100W
JAUTO-HSS-300W	House Side Shield for 120W-300W



LUMEN PERFORMANCE AND ELECTRICAL DATA

Optic	CCT	JAUTO-75W-HE			JAUTO-100W-HE			JAUTO-120W-HE			JAUTO-145W-HE		
		Lumens	Efficacy	Wattage	Lumens	Efficacy	Wattage	Lumens	Efficacy	Wattage	Lumens	Efficacy	Wattage
T2	3000K	12,232	161	76	16,510	162	102	19,724	161	123	22,719	157	145
	4000K	12,510	167	75	17,026	167	102	18,892	159	119	23,364	161	145
	5000K	12,978	172	75	17,540	172	102	20,070	169	119	24,012	165	145
T3	3000K	12,232	161	76	16,510	162	102	19,724	161	123	22,687	157	145
	4000K	12,510	167	75	17,026	167	102	18,892	159	119	23,821	164	145
	5000K	12,978	172	75	17,540	172	102	20,070	169	119	25,012	172	145
T4	3000K	12,228	161	76	16,518	162	102	19,723	161	123	22,665	157	145
	4000K	12,610	167	76	16,892	166	102	19,899	165	121	23,798	164	145
	5000K	12,989	173	75	17,120	171	100	20,060	169	119	24,988	172	145
T5	3000K	12,228	161	76	16,518	162	102	19,723	161	123	21,452	162	145
	4000K	12,610	167	76	16,892	166	102	19,899	165	121	22,525	166	145
	5000K	12,989	173	75	17,120	171	100	20,060	169	119	23,651	171	145

Optic	CCT	JAUTO-200W-HE			JAUTO-230W-HE			JAUTO-300W-HE		
		Lumens	Efficacy	Wattage	Lumens	Efficacy	Wattage	Lumens	Efficacy	Wattage
T2	3000K	34,432	169	203	36,343	157	231	44,639	146	305
	4000K	36,057	177	204	38,160	165	231	46,871	154	305
	5000K	38,243	188	204	40,068	174	231	49,214	161	305
T3	3000K	32,772	161	203	37,251	161	231	47,733	156	305
	4000K	34,105	168	204	38,645	168	231	49,090	161	305
	5000K	35,441	174	204	40,038	174	231	50,444	166	305
T4	3000K	30,835	152	203	36,271	161	231	48,041	157	305
	4000K	32,376	159	204	38,085	168	231	50,443	165	305
	5000K	33,995	167	204	39,989	173	231	50,327	165	305
T5	3000K	31,297	155	202	36,246	161	231	48,222	160	301
	4000K	32,862	163	201	38,058	168	231	49,620	165	300
	5000K	34,505	174	198	39,961	174	231	48,557	167	291



Miami, FL USA - info@jademar.com
T: 305.640.0465 - F: 305.640.0468

WWW.JADEMAR.COM



Information contained herein is subject to change without notice.

Values are nominal. All values conform to DLC tolerances.

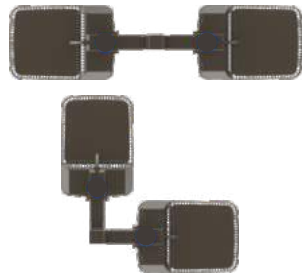
Revised 09/2022

EPA/WEIGHT CONFIGURATIONS



EPA 75W / 100W / 120W / 145W:
Luminaire & Unit Mount: 0.5 sq. ft.
Total Combined Weight: 11.25 lbs.

EPA 200W / 230W / 300W:
Luminaire & Mount: 0.7 sq. ft.
Total Combined Weight: 15.25 lbs.



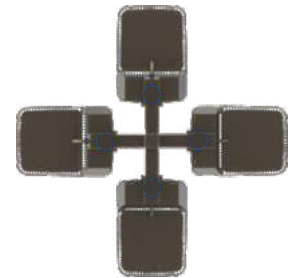
EPA 75W / 100W / 120W / 145W:
Luminaire & Unit Mount: 1.0 sq. ft.
Total Combined Weight: 22.5 lbs.

EPA 200W / 230W / 300W:
Luminaire & Mount: 1.4 sq. ft.
Total Combined Weight: 30.5 lbs.



EPA 75W / 100W / 120W / 145W:
Luminaire & Unit Mount: 1.5 sq. ft.
Total Combined Weight: 33.5 lbs.

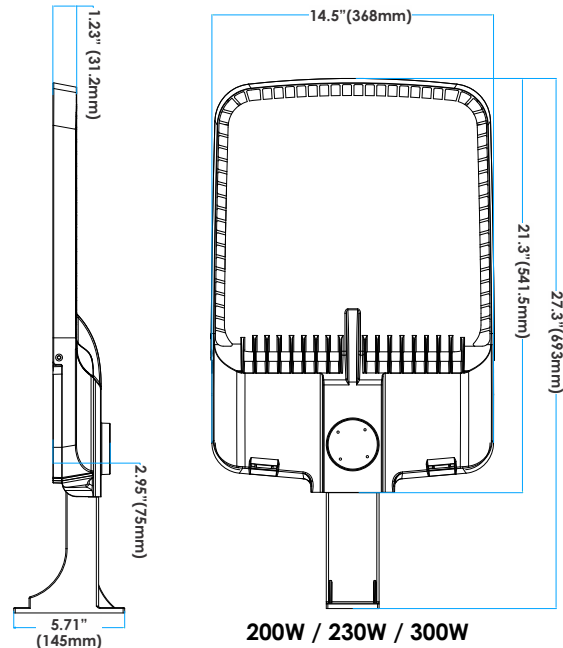
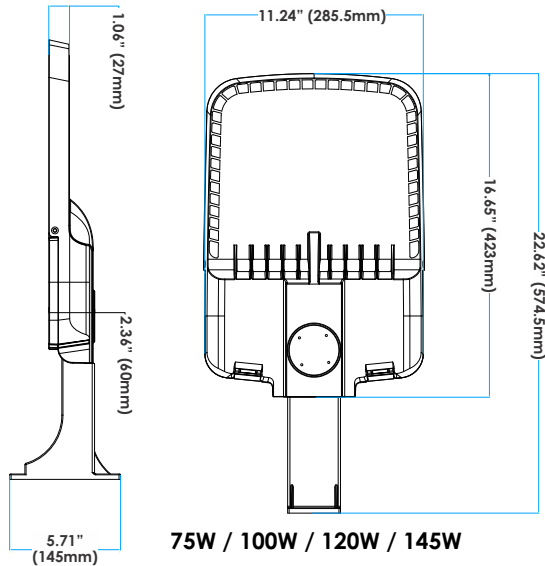
EPA 200W / 230W / 300W:
Luminaire & Mount: 2.1 sq. ft.
Total Combined Weight: 45.75 lbs.



EPA 75W / 100W / 120W / 145W:
Luminaire & Unit Mount: 2.0 sq. ft.
Total Combined Weight: 45 lbs.

EPA 200W / 230W / 300W:
Luminaire & Mount: 2.8 sq. ft.
Total Combined Weight: 61 lbs.

PRODUCT DIMENSIONS



PHOTOMETRIC PLOT DATA

