

JFL & JFL-CS SERIES

LOW WATTAGE CCT SELECTABLE LED FLOODLIGHTS

PRODUCT DESCRIPTION

The Jademar **JFL Series of Low Wattage** Floodlight provides high efficiency, zero maintenance and extended lifetime in a rugged all weather housing.

The JFL series is designed for maximum adaptability in municipal, industrial, commercial and residential applications wherever general area security lighting is required.

This series is designed for maintenance free lifespan of over 22 years at 12 hrs/day. Calculated L70 lifespan is over 100,000 hrs.

STANDARD FEATURES

Construction and Materials

- Aluminum Alloy Housing and Polycarbonate Lens
- Knuckle Mount (Yoke Mount - Sold Separately)

Optical System

- Very Wide Flood: 7Hx6V

Electrical System

- Input Power: 15W/30W/50W
- Input Voltage: 120-277VAC
- Efficacy: 140 lm/W on average
- Power Factor: >0.90
- CRI: >80
- Operating Temp: -4°F to 113°F (-20°C to 45°C)
- Total Harmonic Distortion: <15%
- Integral Surge Protection: L/N-PE: 4kV, L-N: 4kV

Dimming and Controls

- 0-10V Dimming Standard

Certifications and Compliance

- UL Listed
- Ingress Protection: IP65 Suitable for Wet Locations
- Meets FCC Part 15, Subpart B, Class A limits for conducted and radiated Emissions

Lifetime Based on TM21: L70 ≥ 180,000 Hrs / L80 ≥ 101,000 Hrs / L90 ≥ 54,000 Hrs

OPTIONAL FEATURES

- Mounting Option (Yoke Mount)
- Custom Color Options Available (Special Order)
- Integral Surge Protection: 10kV or 20kV Option

APPLICATIONS

- Landscape Areas
- Passageways
- Perimeter Lighting
- Sign Lighting



PERFORMANCE SUMMARY

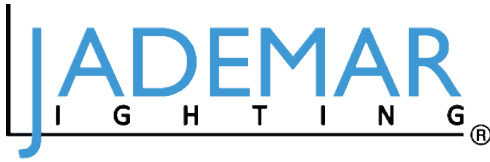
Input Power	15W / 30W / 50W
Max Dimensions	15W (4.35" X 1.51" X 5.23") 30W (7.11" X 2.05" X 8.89") 50W (8.49" X 1.93" X 9.90")
Efficacy	140 lm/W
CRI	>80 CRI Standard
CCT	3000K / 4000K / 5000K
Input Voltage	120-277VAC
Dimming & Control	0-10V Dimming Standard
Ingress Protection	IP65 for Wet Locations
Mounting	Knuckle Mount Standard (Trunnion and Bracket Mount Optional)
Lifetime Based on TM21	L70 ≥ 180,000 / L80 ≥ 101,000 / L90 ≥ 54,000 Hrs
Limited Warranty	10 Years



Miami, FL USA - info@jademar.com
T: 305.640.0465 - F: 305.640.0468
WWW.JADEMAR.COM



Information contained herein is subject to change without notice.
Values are nominal.
Revised 09/2022



SPECIFICATION SUBMITTAL DETAIL

Project Name/Type:		Date:
Catalog/Part #:		

JFL SERIES LOW WATTAGE CCT SELECTABLE LED FLOODLIGHT SERIES
 Ordering Information / Example: **JFL-CS-30W-D-VWF-KN-BZ**

Product Series	Wattage	CCT	CRI	Input Voltage	Dimming	Light Distribution	Surge Protection	Mounting Options	Finish
JFL	15W	30K (3000k) 40K (4000K) 50K (5000K)	Blank (80 CRI)	Blank (120-277V) Standard	D (0-10V Dimming) Standard	VWF (7Hx6V)	Blank (4KV Protection) Standard 10SP (10KV Surge Protection) 20SP (20KV Surge Protection)	KN Knuckle Mount) Standard YK (Yoke Mount)	BZ (Bronze) Standard CC (Custom Color)* <i>*Specify Color Code Special Order</i>
	CS-30W CS-50W	Blank (CCT Selectable 3000K/4000K/5000K)							

LUMEN PERFORMANCE AND ELECTRICAL DATA

Model Number	JFL-15W	JFL-CS-30W	JFL-CS-50W
Input Power	15W	30W	50W
Efficacy (lm/W)	115.3	130 150 140	130 150 140
Max Lumen Output (lm)	1730	3900 4500 4200	6500 7500 7000
Light Distribution	7Hx7V	7Hx6V	7Hx6V
CCT	Static 3000K/4000K/5000K	Selectable 3000K/4000K/5000K	Selectable 3000K/4000K/5000K
CRI	>80	>70	>70
Input Voltage	100-277VAC 50/60Hz	120-277VAC 50/60Hz	120-277VAC 50/60Hz
Max Dimensions with Knuckle	5.35" x 4.33" x 1.49" (136 x 110 x 38mm)	7.13" x 9.17" x 1.73" (181 x 233 x 44mm)	7.13" x 9.17" x 1.73" (281 x 235 x 44mm)
Max Dimensions with Yoke	4.68" x 4.76" x 1.49" (119 x 121 x 38 mm)	8.03" x 6.61" x 1.73" (204 x 168 x 44 mm)	8.03" x 6.61" x 1.73" (204 x 168 x 44 mm)
Maximum Weight	1.05 lbs (0.48 kg)	2.43 lbs (3.5kg)	3.53 lbs. (1.6 kgs)
Power Factor	≥0.9		
THD @ 120VAC	≤15%		
Dimming & Controls	0-10V Dimming Standard		
Construction	Aluminum Alloy / Steel / Polycarbonate Lens		
Ingress Protection	IP65 Rated		
Working Temp	-4°F to 113°F (-20°C to 45°C)		
Operating Humidity	10%-90% RH		
Certifications & Compliance	UL Listed		
Lifetime Based on TM21	L70 ≥ 180,000 / L80 ≥ 101,000 / L90 ≥ 54,000 Hrs		
Limited Warranty	10 Years		

DLC PREMIUM QUALIFIED PRODUCTS



Product ID	Brand	Model Number
S-894VSP	JADEMAR LIGHTING	JFL-CS-15W-f-D-VWF-[10SP;20SP;Blank]-[PC;Blank]-d-e-a
S-PS8EXR	JADEMAR LIGHTING	JFL-CS-30W-f-D-VWF-[10SP;20SP;Blank]-[PC;Blank]-d-e-a
S-4Z5C8E	JADEMAR LIGHTING	JFL-CS-50W-f-D-VWF-[10SP;20SP;Blank]-[PC;Blank]-d-e-a



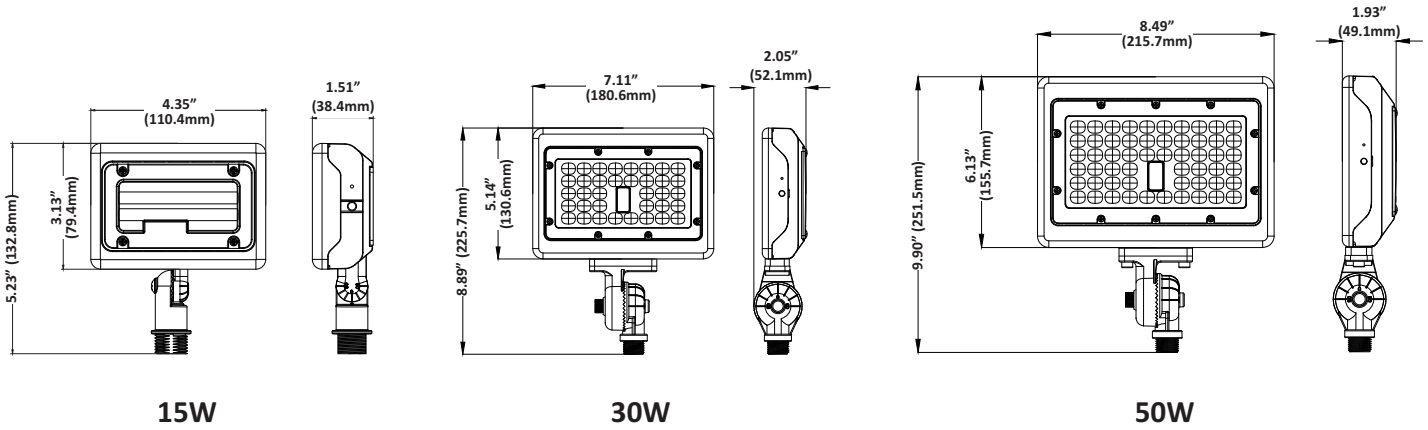
Miami, FL USA - info@jademar.com
 T: 305.640.0465 - F: 305.640.0468
WWW.JADEMAR.COM



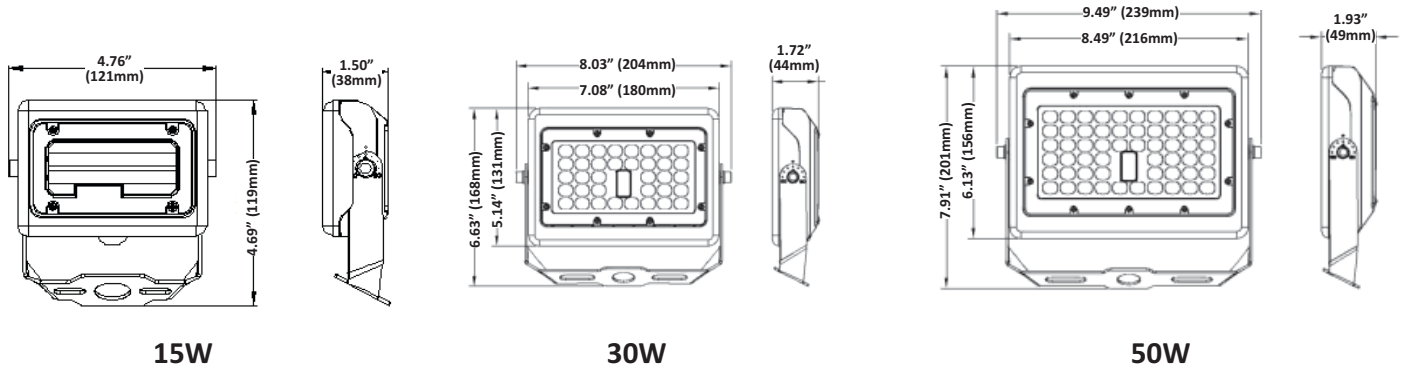
Information contained herein is subject to change without notice.
 Values are nominal.
 Revised 09/2022

PRODUCT DIMENSIONS

WITH KNUCKLE MOUNT DIMENSIONS



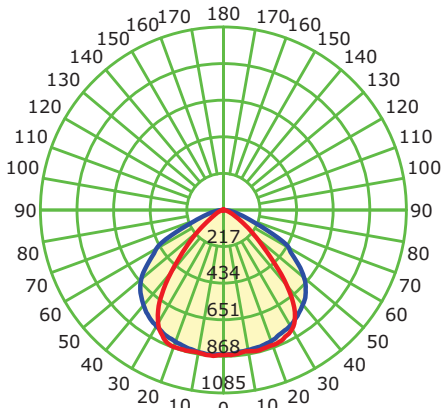
WITH YOKE MOUNT DIMENSIONS



PHOTOMETRY

JFL-15W

Luminous Intensity Distribution Curve

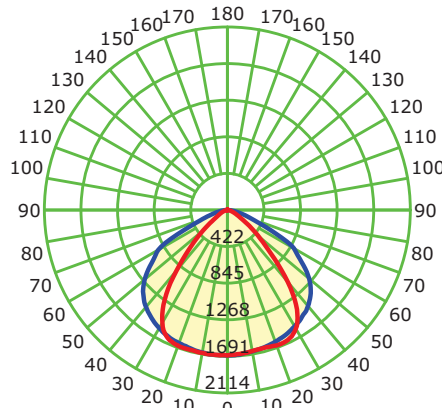


Average Diffuse Angle(50%): 103.8°

— C0-C180 — C90-C270

JFL-CS-30W

Luminous Intensity Distribution Curve

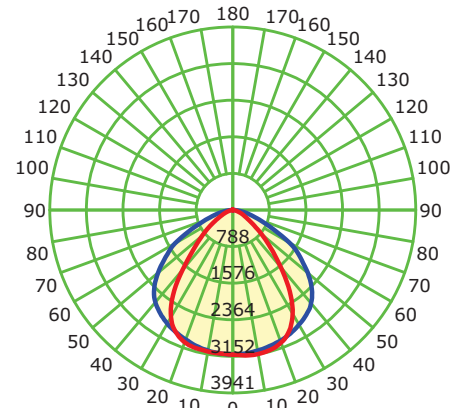


Average Diffuse Angle(50%): 103.5°

— C0-C180 — C90-C270

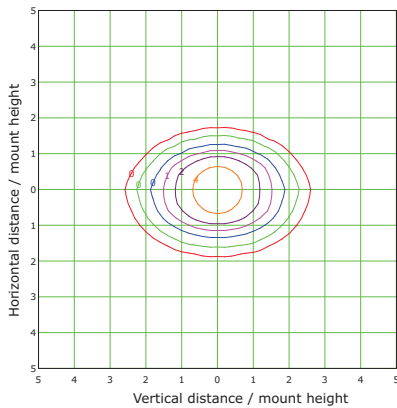
JFL-CS-50W

Luminous Intensity Distribution Curve



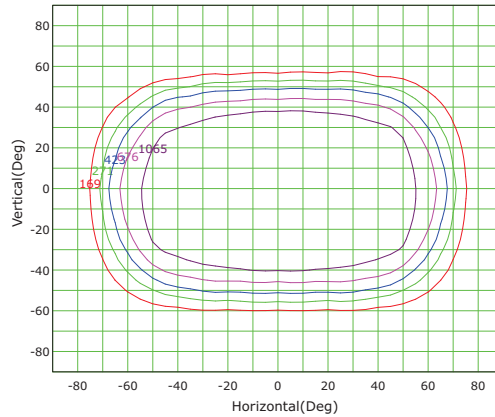
Average Diffuse Angle(50%): 99.0°

— C0-C180 — C90-C270



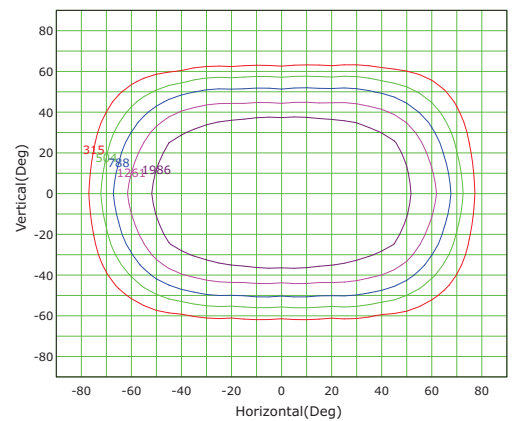
Mounting Height: 10.0m Max Lux(100%): 8.6 lx

(1%): 0.1 lx	(2%): 0.2 lx
(5%): 0.4 lx	(10%): 0.9 lx
(20%): 1.7 lx	(50%): 4.3 lx
(100%): 8.6 lx	



Imax (100%): 1691 cd

(10%): 169 cd	(16%): 271 cd
(25%): 423 cd	(40%): 676 cd
(63%): 1065 cd	(100%): 1691 cd



Imax (100%): 3153 cd

(10%): 315 cd	(16%): 504 cd
(25%): 788 cd	(40%): 1261 cd
(63%): 1986 cd	(100%): 3153 cd

