

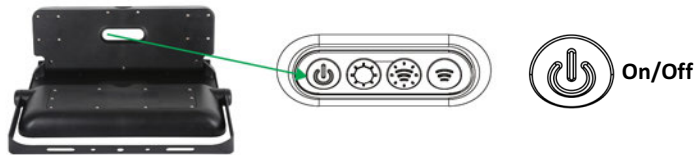
## JFL-SOL ALL-IN-ONE SOLAR LED FLOODLIGHT SERIES




### Product Description


- Solar panel and light panel have integrated flexibility
- The bracket is 360° adjustable and the light panel is 135° adjustable allowing for different lighting requirement.
- TWO side sensors allow for a wider detection angle and higher sensitivity.
- IP65 Rated - Waterproof Anti-UV adaptive optical Lens optimizes light output.
- High Quality mono-crystalline Silicon Solar Panel, High Conversion Solar Photo electricity, and high energy trans-action rate.
- High performance lithium battery 7200mAh

**LIGHT SENSOR + PIR MOTION SENSOR**  
Press the button to adjust working mode.




 Automatically turns on at the dusk and remains 20% brightness.



 Automatically turns on to full brightness (1080lm) when motion is detected in the range ≤26ft and then turns to 3% brightness in 20 seconds of no motion.



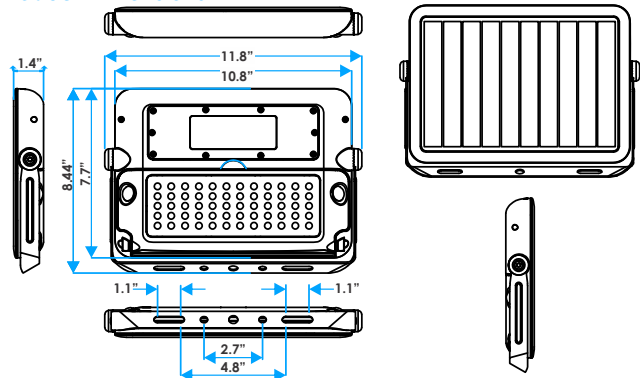
 Automatically turns on to full brightness (1080lm) when motion is detected in the range ≤26ft and then turns off in 30 seconds of no motion.

### Performance Summary

Model Number	JFL-SOL-10W-4V-D-MS
Power	10W
CCT	6000K
Solar Panel	5.5W 5.5V Mono-crystalline silicone
Beam Angle	90°
Housing Color	Black Finish
Ingress Protection	IP65
Solar Panel Size	10.8" X 7.7" X 1.4"
Installation Height	<13FT
Charging Time	6Hrs/Day
Lumen	1080 Lumens
Battery	7200mAh/3.7V / 18650 Lithium battery
PIR sensor Range	Detection angle: 180° Detection area: ≤26FT
Working Temp	5°F to 113°F (-15°C to 45°C)
Material	ABS+PC housing, Aluminum bracket, Anti-UV
Warranty	2 years (Battery - 1year)

Unused solar fixtures must have their battery recharged every 3 months or damage can occur to the battery

### Product Dimensions



### Applications

All the areas where wired fixtures are inconvenient, but abundance of sunlight is available, such as: Gardens, billboards, buildings, entry ways, and courtyards.

