

JFP-BL SERIES

BACK-LIT LED FLAT PANEL TROFFER



PRODUCT DESCRIPTION

The **Jademar JFP-BL Series** has back-lit technology that eliminates the need for an acrylic light guide, resulting in significantly increased performance and competitive prices. JFP-BL is designed for use in healthcare facilities, office spaces and classrooms, where lighting preferences vary from space to space.

Frosted polystyrene lens delivers even and diffuse ambient illumination that's ideal for spaces where glare-free lighting is essential

STANDARD FEATURES

Construction and Materials

- Aluminum Back cover housing: Zinc-coated Iron Painted White / Frosted Polystyrene Lens

Optical System

- 120° Light Distribution

Electrical System

- Input Power: 30W (JFP-BL-14), 30W / 36W (JFP-BL-22), 30W / 40W / 50W (JFP-BL-24)
- Input Voltage: 120-277VAC Standard and 120-347VAC Optional
- Efficacy: 125 lm/W
- Power Factor: >0.9
- CRI: >80
- Operating Temp: -20°C to +50°C (-4°F to +122°F) Ambient
- Total Harmonic Distortion: <20%

Dimming and Controls

- 0-10V Dimming Standard
- Bi-Level Microwave Occupancy Sensor Standard

Certifications and Compliance

- DLC Premium Listed / cULus Listed / FCC / RoHS
- Ingress Protection: IP20 Suitable for Damp Locations
- RoHS compliant
- Lifetime Based on TM21:** L70 @ 183,000 Hrs / L80 @ 143,000 Hrs / L90 @ 121,000 Hrs

MOUNTING OPTIONS

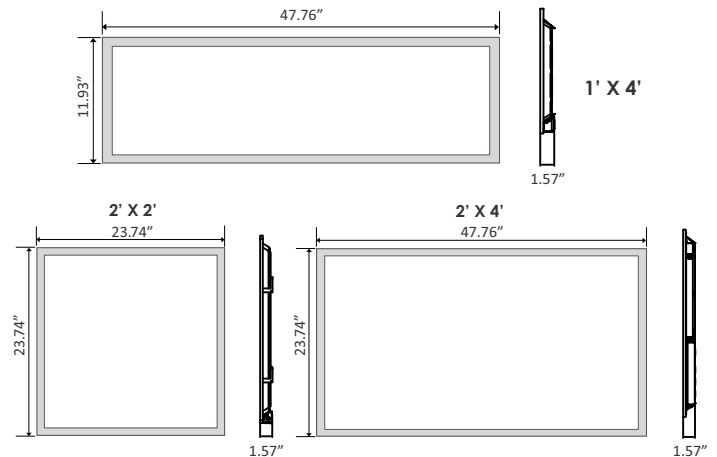
- Ceiling type T-bar (STS), Suspension or surface optional
- Light source Non-replaceable LED module



PERFORMANCE SUMMARY

Sizes	1'x4' (JFP-BL-14) 2'x2' (JFP-BL-22) 2'x4' (JFP-BL-24)
Input Power	JFP-BL-14: 30W JFP-BL-22: 30W / 36W JFP-BL-24: 30W / 40W / 50W
Efficacy	125 lm/W
CCT	3500K / 4000K / 5000K
CRI	>80
Input Voltage	100-277VAC Standard or 120-347VAC Optional
Dimming	0-10V Dimming
Lifetime	L70 @ 183,000 / L80 @ 143,000 / L90 @ 121,000
Warranty	5 Years Limited

PRODUCT DIMENSIONS



Miami, FL USA - info@jademar.com
T: 305.640.0465 - F: 305.640.0468
WWW.JADEMAR.COM



Information contained herein is subject to change without notice.
Values are nominal.
Revised 11/2022

SPECIFICATION SUBMITTAL DETAIL

Project Name/Type:		Date:
Catalog/Part #:		

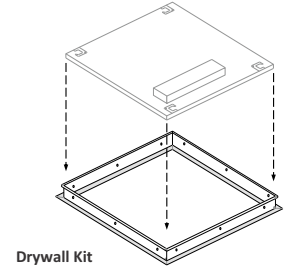
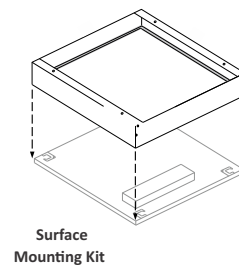
JFP BACK-LIT FLAT PANEL TROFFER SERIES

ORDERING INFORMATION / EXAMPLE: **JFP-BL-22-30W-P-35K-D-EM15**

Product Series	Size	Wattage	DLC	Input Voltage	CCT	CRI	Controls & Dimming	EM Backup	Other Options
JFP-BL	14 (1' x 4')	30W	Blank (Efficacy 125 lm/W) Standard	Blank (120-277VAC) Standard	35K (3500K)	Blank (80 CRI) Standard	D (0-10V Dimming) Standard 1PD (1% Dimming option) BMWO (Bi-Level Microwave Occupancy Sensor) Standard	EM8 (8W EM BB Unit)	MC6 5 wire - 6ft - (3/8" Metal conduit/flex conduit) , 1/2" quick connectors, #18 solid (600v)
	22 (2' x 2')	30W 36W			40K (4000K)				
	24 (2' x 4')	30W 40W 50W	P (Premium Efficacy 130 lm/W)	H (120-347VAC)	50K (5000K)				

FIELD INSTALLED OPTIONS

SMK14	1x4 Surface Mounting Kit
SMK22	2x2 Surface Mounting Kit
SMK24	2x4 Surface Mounting Kit
DWK14	1x4 Drywall Kit
DWK22	2x2 Drywall Kit
DWK24	2x4 Drywall Kit
SUK-AC-10FT	Suspension Kit - 10FT AIRCRAFT SUSPENSION CABLE 1/16" with loop and 4-S hooks included

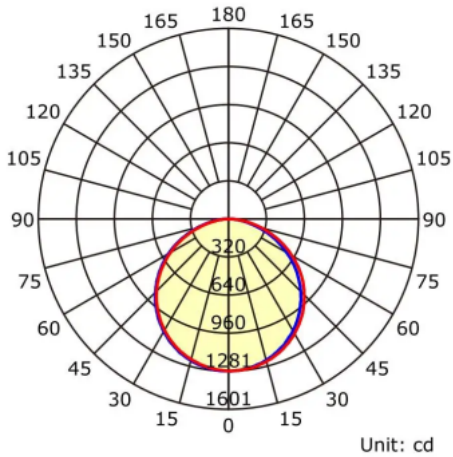


PERFORMANCE AND ELECTRICAL DATA

Model	JFP-BL-14	JFP-BL-22		JFP-BL-24		
Standard Dimensions	1' x 4'	2' x 2'		2' x 4'		
Maximum Dimensions (L x W x H)	11.81" x 47.75" x 1.57"	23.74" x 23.74" x 1.57"		23.74" x 47.75" x 1.57"		
Nominal Watts	30W	30W	36W	30W	40W	50W
Lumens, up to (lm)	3825	3825	4590	3825	5100	6375
Efficacy (lm/W)	125	125	125	125	125	125
Weight (lbs)	4.63 lbs.	4.41 lbs.		8.82 lbs.		
Input Voltage (VAC)	120-277VAC / 120-347VAC 50/60Hz					
Power Factor	>0.9					
CCT Options	3500K / 4000K / 5000K					
CRI	>80					
Ambient Working Temp.	-20°C to +50°C (-4°F to +122°F)					
THD @ 120VAC (%)	<20%					
Control Specification	0-10V Dimming Standard					
Beam Angle / Field Angle (Nominal)	120°					
Construction	Aluminum Back cover housing; Zinc-coated Iron Painted White / Frosted Polystyrene Lens					
Certifications	DLC Premium Listed / cULus Listed / FCC / RoHS					
Lifetime Based on TM21	L70 @ 183,000 / L80 @ 143,000 / L90 @ 121,000					
Limited Warranty	5 Yrs.					

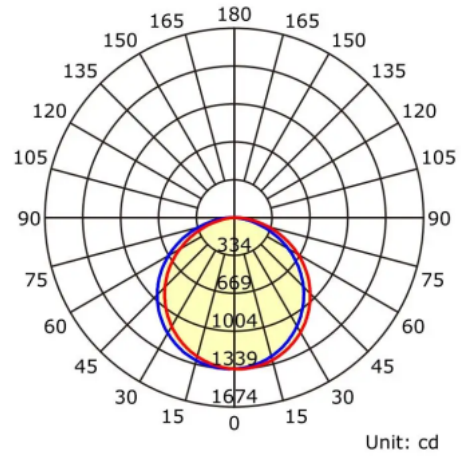


PHOTOMETRY



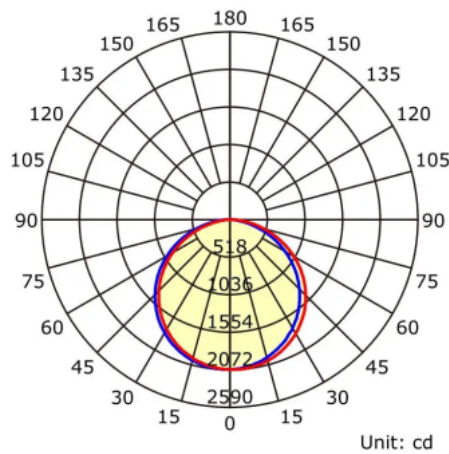
— C0-C180 — C90-C270

JFP-BL-14-30W-35K



— C0-C180 — C90-C270

JFP-BL-22-30W-35K



— C0-C180 — C90-C270

JFP-BL-24-50W-40K

