

JFP-BL-CPS SERIES

BACK-LIT LED

CCT & POWER SELECTABLE

FLAT PANEL TROFFER SERIES

PRODUCT DESCRIPTION

The Jademar **JFP-BL-CPS** series of Dual Selectable Flat Panels are commercial luminaires utilizing advanced driver technology to provide an all in one luminaire. This series of flat panel troffer provide three wattage and three CCT options in each size model. These features allow for superior lighting performance while minimizing inventory by reducing the amount of stocking SKUs.

The **JFP-BL-CPS** series achieves high uniformity, premium energy efficiency, and reduced glare in typical T-bar grid ceiling applications. Our state-of-the-art backlit LED technology utilizes PMMA lensing over the LEDs which will not discolor over time. The need for a light guide is eliminated, thus increasing photometric performance while keeping costs competitive. Combined with the rigid back enclosure that prevents warping in application, this luminaire is designed for worry-free longevity and reliability. Available with factory installed battery backup for 90 minutes emergency egress illumination.

STANDARD FEATURES

Construction and Materials

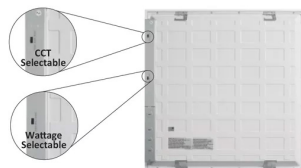
- Aluminum Frame in powder coated matte finish and steel die-formed back enclosure and PMMA lenses over LEDs / PS diffuser, SDCM <5 / UGR <22

Optical System

- 120° Beam Angle

Electrical System

- Sizes: 2'x2' / 2'x4' / 1'x4'
- Power Selectable: 30W, 36W, 40W / 45W, 50W / 28W, 40W
- CCT Selectable: 3500K / 4000K / 5000K
- Input Voltage: 120-277VAC / 120-347VAC
- Efficacy: 145 lm/W on average
- Power Factor: >0.9
- CRI: >80
- Operating Temp: -20°C to 40°C (-4°F to 104°F)
- Total Harmonic Distortion: <15%
- Integral Surge Protection: 6KV



Dimming and Controls

- 1-10V Continuous Dimming Standard

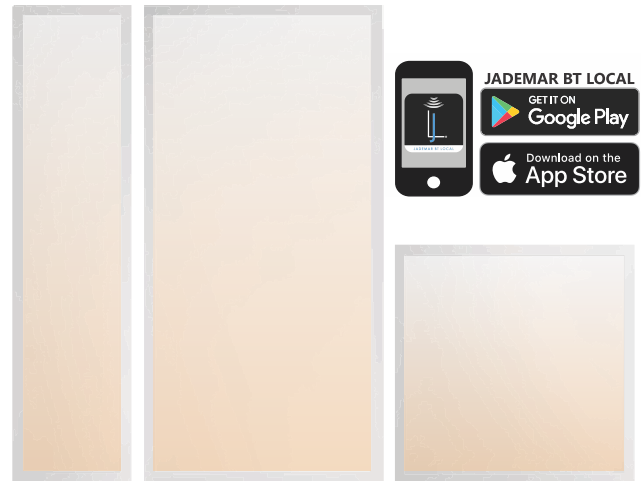
Certifications and Compliance

- UL Listed for Damp Locations
- IC Rated for Insulated Ceilings
- RoHS Compliant
- DLC Premium List (some models only - see page 2)
- Meets FCC Part 15, Subpart B, Class A limits for conducted and radiated Emissions

Lifetime Based on TM21: L70@183,000 / L80@143,000 / L90@121,000 Hrs

Mounting Options:

- Recessed in T-bar Grid Ceiling Mount with integral earthquake clips for secure attachment
- Surface Mount and Suspension Mount with cable kit accessories available



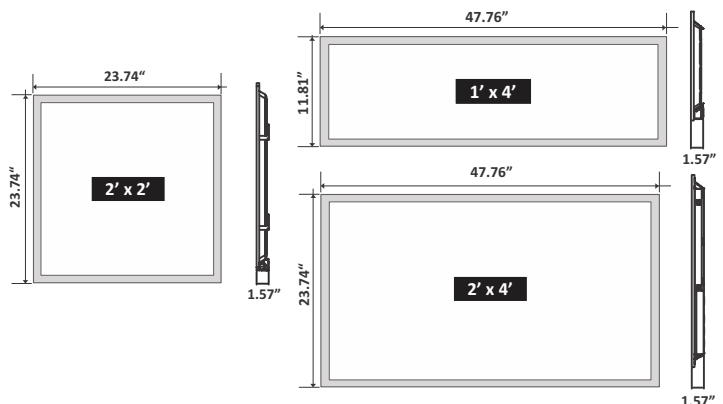
PERFORMANCE SUMMARY

Sizes	1'x4', 2'x2', 2'x4'
Primary Input Power	2' X 2': 30W, 36W, 40W 2' X 4': 45W, 50W 1' X 4': 28W, 40W
Efficacy	145 lm/W on average
CCT Selectable	3500K / 4000K / 5000K
CRI	>80
Input Voltage	100-277VAC Standard, 120-347VAC Optional
Dimming	0-10V Dimming
Lifetime	L70 @ 183,000 / L80 @ 143,000 / L90 @ 121,000
Warranty	10 Years Limited

OPTIONAL FEATURES

- Bi-Level Microwave Occupancy/Motion Sensor
- Bluetooth Indoor Controls Systems operated by Jademar BT Local App
- 8W or 15W Emergency Battery Backup
- 3 or 5-Wire - 6ft (3/8" Metal conduit/flex conduit), 1/2" quick connectors, #18 solid (600V) - (black, white, green, violet, grey)

PRODUCT DIMENSIONS



Miami, FL USA - info@jademar.com
T: 305.640.0465 - F: 305.640.0468
WWW.JADEMAR.COM



Information contained herein is subject to change without notice.
Values are nominal. Revised 11/2022

SPECIFICATION SUBMITTAL DETAIL

Project Name/Type:		Date:
Catalog/Part #:		

JFP BACK-LIT FLAT PANEL TROFFER SERIES

ORDERING INFORMATION / EXAMPLE: **JFP-BL-CPS-14-30W-D-BMWO-EM15**

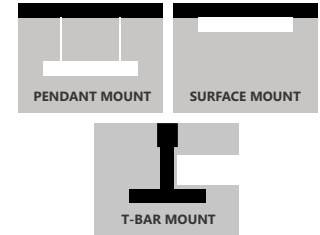
Product Series	Size	Selectable Wattage	CCT	Input Voltage	CRI	Dimming	Controls Options	Other Options
JFP-BL-CPS	22 (2' x 2')	30W (30W/25W/20W) 36W (36W/30W/20W) 40W (40W/30W/25W)	Blank (CCT Selectable 3500K/4000K/5000K)	Blank (100-277VAC) Standard H (100-347VAC)	Blank (80 CRI) Standard	D (0-10V Dimming) Standard	BMWO (Bi-Level Integral Microwave Occupancy Sensor) JICS-BT-SC (Jademar Bluetooth Indoor Control System Single Channel)	EM8 (8W EM BB Unit 1240 lm) EM15 (15W EM BB Unit 2325 lm) MC6-3W (3-Wire 6FT-3/8" Metal/Flexible Conduit) MC6-5W (5-Wire 6FT-3/8" Metal/Flexible Conduit)
	24 (2' x 4')	45W (45W/40W/30W) 50W (50W/40W/30W)						
	14 (1' x 4')	28W (28W/24W/18W) 40W (40W/30W/20W)						

FIELD INSTALLED OPTIONS

Model Number	Description
JFP-SMK14	1' x 4' Surface Mounting Kit
JFP-SMK22	2' x 2' Surface Mounting Kit
JFP-SMK24	2' x 4' Surface Mounting Kit
DWK14	1' x 4' Dry Wall Flange Kit
DWK22	2' x 2' Dry Wall Flange Kit
DWK24	2' x 4' Dry Wall Flange Kit

Model Number	Description
SUK-AC-10FT	Suspension 10FT Aircraft Cable
SKYLIGHT-24	Skylight - T-Grid Riser Adaptor 2x4
SKYLIGHT-22	Skylight - T-Grid Riser Adaptor 2x2
SKYLIGHT-14	Skylight - T-Grid Riser Adaptor 1x4

See pages 4 thru 6 for more information



LUMEN PERFORMANCE AND ELECTRICAL DATA

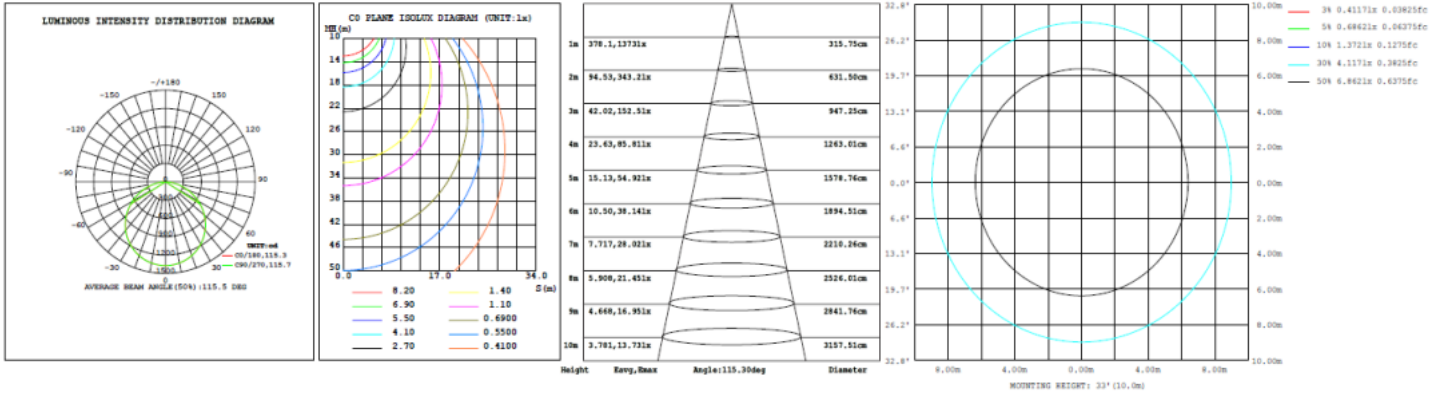
Model Number	JFP-BL-CPS-22-30W			JFP-BL-CPS-22-36W			JFP-BL-CPS-22-40W		
DLC Premium Product ID #	P9MFR87G								
Dimensions (LxWxH)	23.74" x 23.74" x 1.57"			23.74" x 23.74" x 1.57"			23.74" x 23.74" x 1.57"		
Selectable Watt Options	30W	25W	20W	36W	30W	20W	40W	30W	25W
Lumens	3750	3125	2500	4500	3750	2500	4500	3750	2500
Tested Efficacy lm/W)	125	125	125	125	125	125	125	125	125
Weight (Lbs)	5.11 lbs.			5.11 lbs.			5.11 lbs.		
Model Number	JFP-BL-CPS-24-45W			JFP-BL-CPS-24-50W					
DLC Premium Product ID #	PHBFS1EJ								
Dimensions (LxWxH)	47.75" x 23.74" x 1.57"			47.75" x 23.74" x 1.57"					
Selectable Watt Options	45W	40W	30W	50W	40W	30W			
Lumens	5625	5000	3750	6250	5000	3750			
Tested Efficacy lm/W)	125	125	125	125	125	125			
Weight (Lbs)	8.82 lbs.			8.82 lbs.					
Model Number	JFP-BL-CPS-14-28W			JFP-BL-CPS-14-40W					
DLC Premium Product ID #	PLBNL8DZ								
Dimensions (LxWxH)	47.75" x 11.81" x 1.57"			47.75" x 23.74" x 1.57"					
Selectable Watt Options	28W	24W	18W	40W	30W	20W			
Lumens	3500	3000	2250	5000	3750	2500			
Tested Efficacy lm/W)	125	125	125	125	125	125			
Weight (Lbs)	5.27 lbs.			5.27 lbs.					
Input Voltage (VAC)	100-277VAC (Standard) / 120-347VAC								
Power Factor	>0.9								
CRI	>80								
Ambient Working Temp.	-20°C +40°C (-4°F to 104°F)								
THD @ 120VAC (%)	<20%								
Lifetime Bases on TM21	L70 @ 183,000 / L80 @ 143,000 / L90 @ 121,000								
Ingress Protection	ETL Damp Location								



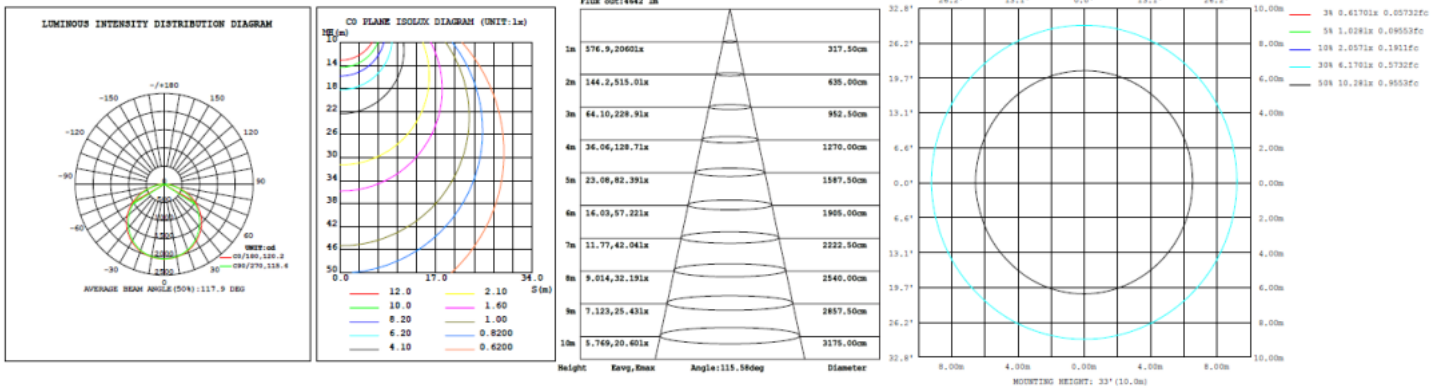
Project Name/Type:		Date:
Catalog/Part #:		

PHOTOMETRY

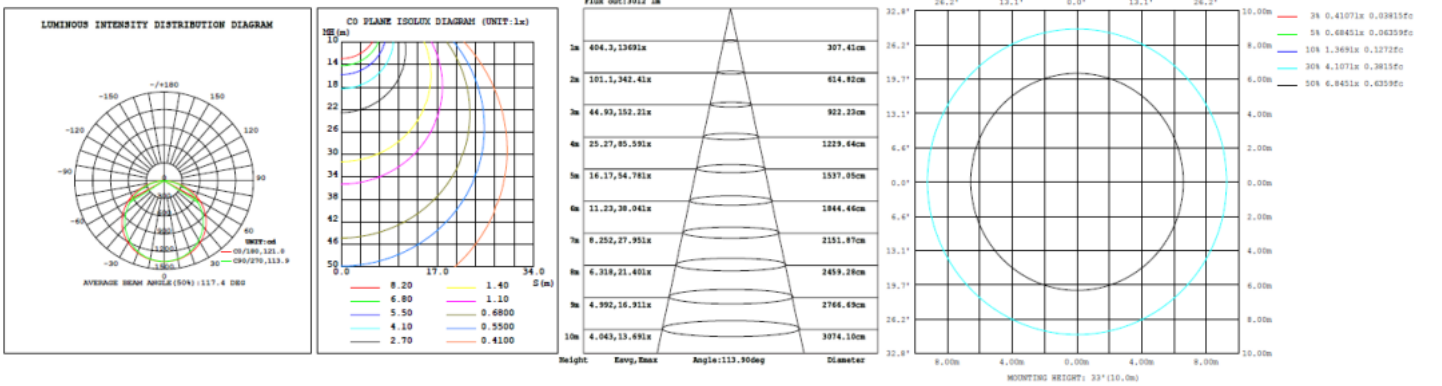
JFP-BL-CPS-22-30W



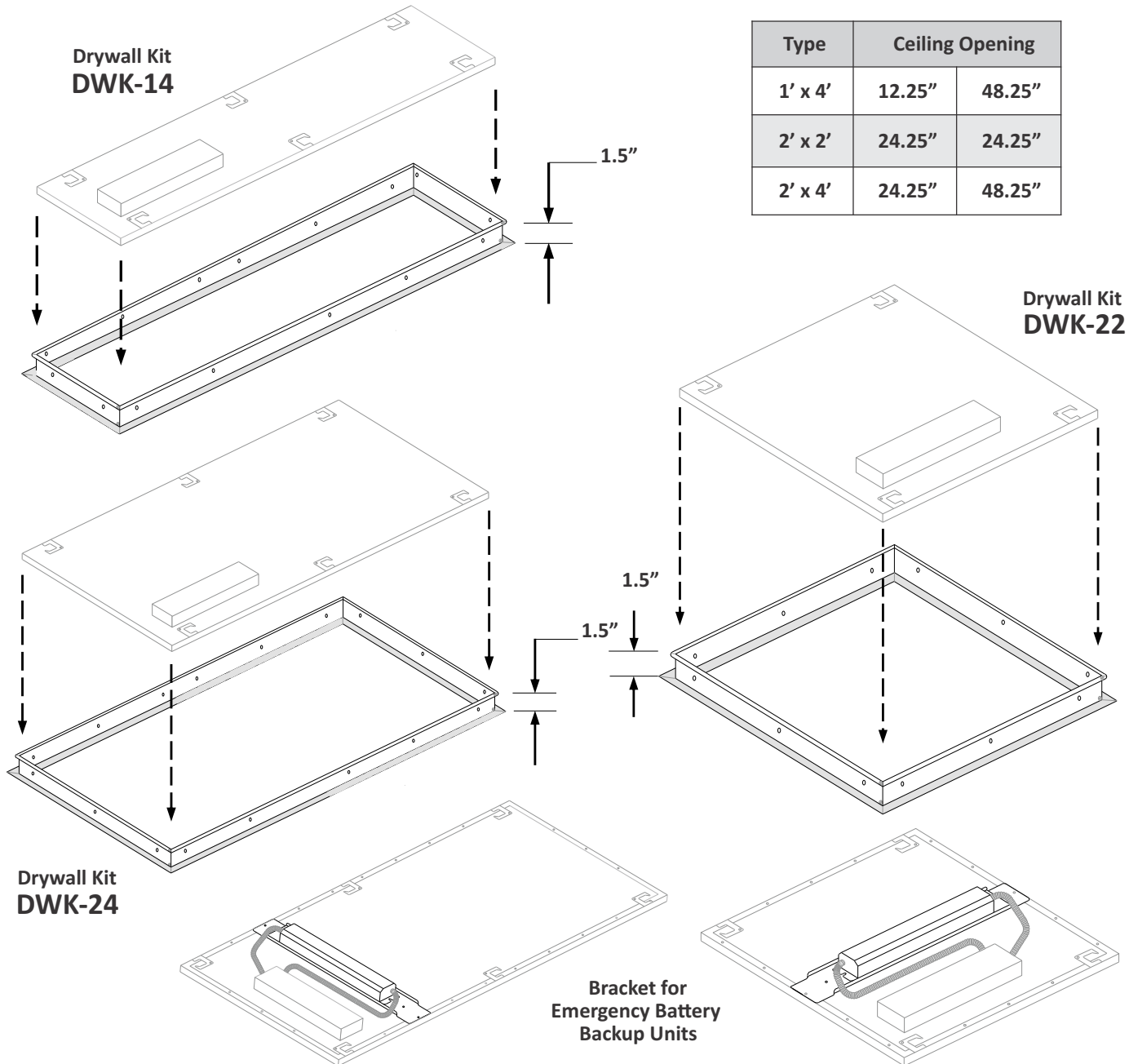
JFP-BL-CPS-24-45W



JFP-BL-CPS-14-30W



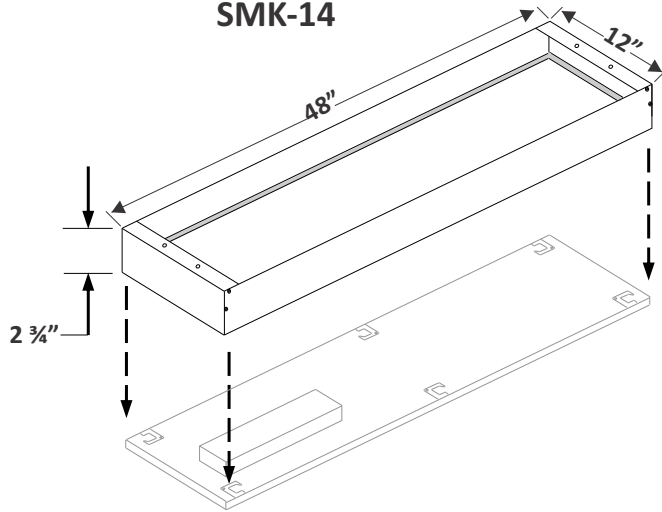
Optional Dry Wall Mounting Kits provides for recessed installation on plaster or other hard ceilings. Attach Drywall Kit to Ceiling joists or other stationary structures, and the panel is mounted flush to the ceiling.



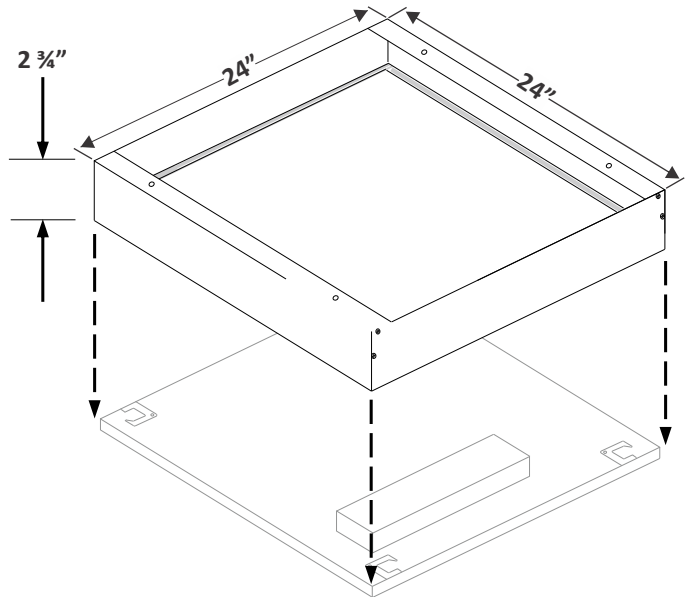
Type	Ceiling Opening	
1' x 4'	12.25"	48.25"
2' x 2'	24.25"	24.25"
2' x 4'	24.25"	48.25"



Surface Mounting Kit
SMK-14



Surface Mounting Kit
SMK-22



Surface Mounting Kit
SMK-24

