



## JLHB-CPS & JLHB-PS SERIES CCT & POWER SELECTABLE LED LINEAR HIGH BAY



Remote Controlled Bi-Level  
Microwave Occupancy Sensor (Options)

### PRODUCT DESCRIPTION

The JLHB-CPS/PS series is designed to provide diffused glare free ambient specification lighting for warehouse, High Bay retail, manufacturing and other interior lighting applications.

The JLHB-CPS/PS series features continuous 0-10VDC dimming standard and optional field installed, programmable motion sensor control and multiple CCT and Power options that can be adjusted in the field.

Factory installed emergency battery backup system features field-selectable variable wattage settings for system design flexibility and maximum egress safety.



Power Select



CCT Select

### FEATURES

- **Efficacy:** 137-142 lm/W
- **Controls:** 0-10VDC Continuous Dimming Standard and Bi-Level Microwave Occupancy Sensor Option.
- **Mounting:** Aircraft Cable for Suspension Mount Standard, Surface and Pendant Mounting are Optional
- **Diffuser:** High efficiency low glare PC diffuser
- **Emergency:** Factory Installed Emergency battery Backup
- **Light Distribution:** Beam Angle: 100°
- **IP Rating:** IP20 for Damp Locations
- **Power Factor:** >0.9
- **Lifetime Based on TM21:** L70 ≥ 174,000 Hrs
- **CRI:** >80
- **Warranty:** 10 Years

### CONTROLS FEATURES

- Optional Bi-Level Microwave Occupancy Sensor
- Handheld Remote Control for Sensor Programming
- EM Pack Option 15W/20W
- Power cord length options: 6' & 12' Available
- NEMA Power Plug & Socket (3-Pin)

### CERTIFICATIONS & COMPLIANCES

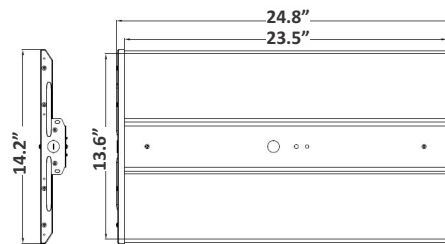


PENDING

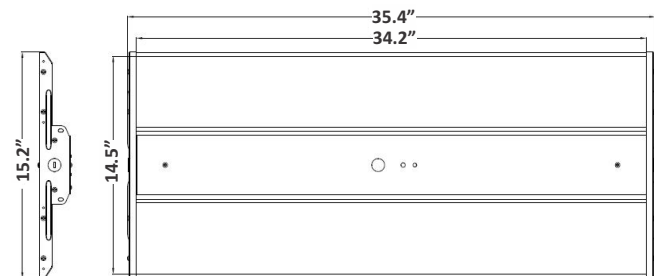
### LUMEN PERFORMANCE & ELECTRICAL DATA

Primary Input Power	110W / 130W / 165W / 220W
Average Efficacy	137 - 145 lm/W
CCT	CCT Selectable 4000K / 5000K
Input Voltage & Driver SP	120-277VAC / 277-480VAC Optional / 6kV SP
Dimming	0-10VDC Continuous Dimming Standard, Bi-Level Microwave Occupancy Sensor and Bluetooth® Indoor Controls Options
CRI	>80 Standard and >90 CRI Optional
Ingress Protection	IP20 for Damp Locations
Certifications & Compliances	RoHS, FCC, UL and DLC Listed
Lifetime Based on TM21	L70 ≥ 174,000 / L80 ≥ 129,000 / L90 ≥ 81,000 Hrs
Limited Warranty	10 Years

### PRODUCT DIMENSIONS



Housing Size for:  
90W, 110W, 130W,  
and 165W Models



Housing Size for 220W Model and 320W Model



## SPECIFICATION SUBMITTAL DETAIL

Project Name/Type:		Date:	
Catalog/Part #:			

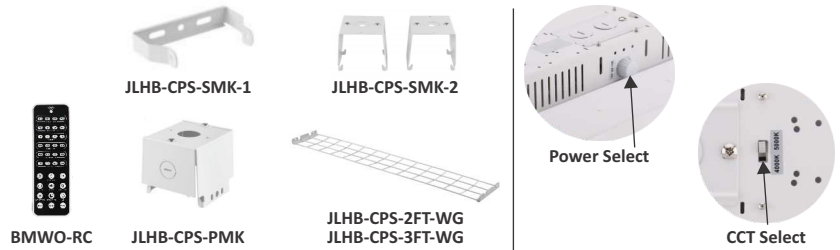
### JLHB-CPS SERIES CCT & POWER SELECTABLE LED LINEAR HIGH BAY

ORDERING INFORMATION EXAMPLE: **JLHB-CPS-110W-H-D-BMWO-DL-WH-EM15**

Product Series	Type	Power Selectable	Input Voltage	CCT	CRI	Dimming	Lens Type	Finish	Emergency Option
JLHB	CPS (CCT & Power Selectable)	110W (110W/90W/70W) 130W (130W/110W/90W) 165W (165W/150W/135W) 220W (220W/200W/180W)	Blank (100-277VAC) Standard H (277-480VAC)	Blank (CCT Selectable 4000K/5000K)	Blank (80 CRI) Standard	D (0-10V Dimming) Standard BMWO (Plug and Play Bi-Level microwave occupancy sensor)	DL (Diffused PC Lens) Standard	WH (White Finish) Standard CC (Custom Color) Special Order	EM15 (15W EM Pack) EM20 (20W EM Pack)
	PS (Power Selectable)	110W (110W/90W/70W/50W) 130W (130W/110W/90W/65W) 165W (165W/150W/135W/82W) 220W (220W/200W/180W/110W)		40K (4000K) 45K (4500K) 50K (5000K) 57K (5700K)					

### FIELD INSTALLED OPTIONS

BMWO-RC	Handheld sensor remote programmer for BMWO
JLHB-CPS-PMK	Pendant Mount Kit
JLHB-CPS-SMK-1	Surface Mount Kit (1pc)
JLHB-CPS-SMK-2	Surface Mount Kit (2pcs)
JLHB-CPS-2FT-WG	2FT Wire Guard
JLHB-CPS-3FT-WG	3FT Wire Guard

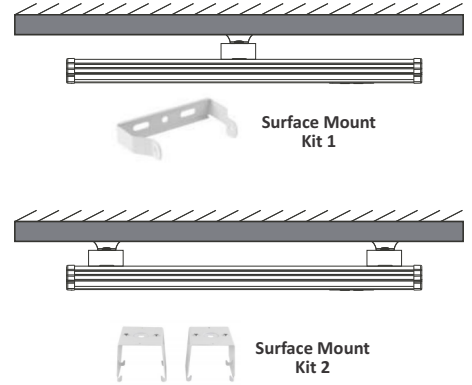
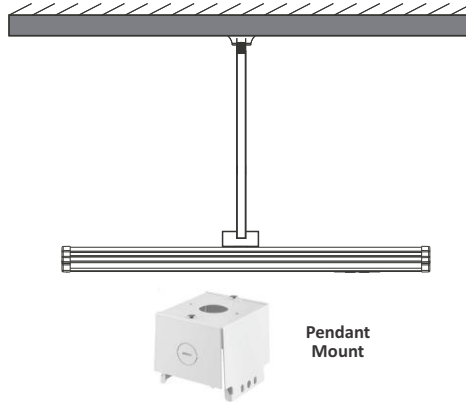
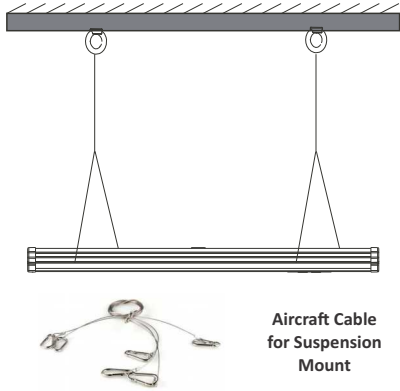


### LUMEN PERFORMANCE & ELECTRICAL DATA

Model Number	JLHB-CPS-110W				JLHB-CPS-130W				JLHB-CPS-165W				JLHB-CPS-220W			
Nominal Wattage	110W	90W	70W		130W	110W	90W		165W	150W	135W		220W	200W	180W	
Nominal Efficacy	136 ~ 145 lm/W @ 110W				135 ~ 1465 lm/W @ 130W				133 ~ 145 lm/W @ 165W				132 ~ 145 lm/W @ 220W			
Lumens	15,000 ~ 16,000 lm @ 110W				17,500 ~ 19,000 lm @ 130W				22,000 ~ 24,000 lm @ 165W				29,000 ~ 31,900 lm @ 220W			
Color Temperature (CCT)	CCT Selectable (4000K/5000K)															
Model Number	JLHB-PS-110W				JLHB-PS-130W				JLHB-PS-165W				JLHB-PS-220W			
Nominal Wattage	110W	90W	70W	50W	130W	110W	90W	65W	165W	150W	135W	82W	220W	200W	180W	110W
Nominal Efficacy (lm/W)	127 ~ 136 @ 110W				131 ~ 138 lm/W @ 130W				127 ~ 136 lm/W @ 165W				130 ~ 134 lm/W @ 220W			
Lumens	14,000 ~ 15,000 @ 110W				17,000 ~ 18,000 lm @ 130W				21,000 ~ 22,500 lm @ 165W				28,500 ~ 29,500 lm @ 220W			
Color Temperature (CCT)	Static CCT 4000K / 4500K / 5000K / 5700K															
Light Distribution	90 Degrees Standard PC Diffuser															
Input Voltage	120-277VAC standard															
CRI	>80 CRI															
Power Factor	>0.9															
THD & Driver SP	>15% / 6Kv															
Ingress Protection Rating	IP20															
Certifications & Compliance	FCC / UL Listed															
Dimming / Control Options	0-10V Dimming (Standard) / Bi-level Microwave Occupancy Sensor w/ Handheld Remote Control Option															
Lifetime Based on TM21	L70 @ 174,000Hrs. (Default Based on Primary Wattage) / L80 @ 129,000Hrs. / L90 @ 81,000Hrs.															
Housing Material	Die-cast Aluminum															
Ambient Working Temp	Without Motion Sensor and Emergency Power Supply: -30°C to 50°C (-22°F to 122°F) With Motion Sensor: -25°C to 50°C (-13°F to 122°F), With Emergency Power Supply: 0°C to 50°C (0°F to 122°F)															
Limited Warranty	10 Years Limited															



### MOUNTING OPTIONS



### DIMENSIONS

