

JLN-HAZ SERIES

EXPLOSION PROOF AND HAZARDOUS LOCATIONS LED LINEAR LUMINAIRE

Class I, Division 2, Groups A, B, C, and D
 Class II, Division 2, Groups F and G
 Class III, T-Class: T3, T4A, T5



PRODUCT DESCRIPTION

The Jademar **JLN-HAZ Explosion Proof Linear Luminaire** features extremely sturdy circuit and fully sealed electrical components. In addition to being able to withstand vibration and shock resistance, it can also prevent any corrosion that may lead to electrical failure. Therefore, the explosion-proof linear lamp has long service life, low maintenance requirements and low energy consumption.

Cooper-free aluminum alloy body powder sprayed over housing for increased durability and aesthetics. The combination of special heat dissipation design and LED technology enable the lamp to achieve an excellent 50,000 hour rated life and 80% lumen retention rate. Linear lights in hazardous areas also have multi-voltage capabilities. They can operate at 100-277V, 50/60Hz without additional special ballasts and have emergency and installation options.

STANDARD FEATURES

Construction and Materials

- Patent designed to be Curved Fin Shape, maximizing the best heat transmission.
- Aluminum alloy (ADC12).
- Tempered Glass Lens (8mm) shock and vibration resistant, Clear with >90% light transmission

Optical System

- Light Distribution: 90°, 110°

Electrical System

- Input Power: 40W / 50W / 60W / 80W / 100W / 120W / 150W
- Input Voltage: 100-277VAC 50/60Hz
- Driver Qty: (1) Meanwell HLG Series Driver
- CCT: 3000K / 4000K / 5000K
- Efficacy: 120 lm/W on average
- Power Factor: >0.95
- CRI: >70
- Operating Temp: -22°F to 122°F (-30°C to 50°C)
- Total Harmonic Distortion: <10%
- Integral Surge Protection: 4KV/6KV Surge Protection Power Supply

Certifications and Compliance

- NEC/CEC: Class I, Division 2, Groups A, B, C, and D; Class II, Division 2, Groups F and G; Class III
- T-Class: T3, T4A, T5
- UL Listed for Damp and Wet Locations;
- Ingress Protection: IP67, high protection grade for waterproof and dust-proof.
- RoHS compliant.
- Meets FCC Part 15, Subpart B, Class A limits for conducted and radiated Emissions
- **Lifetime Based on TM21:** L70 ≥ 181,000 / L80 ≥ 132,000 / L90 ≥ 101,000 Hrs

PERFORMANCE SUMMARY

Input Power:	40W/50W/60W/80W/100W/120W/150W
Efficacy:	120 lm/W
CCT:	3000K / 4000K / 5000K
Input Voltage:	100-277VAC 50/60Hz
Driver Quantity	(1) Meanwell HLG Series Driver
Surge Protection:	4KV/6KV Surge Protection
Ingress Protection:	IP67 Rated - Waterproof and Dustproof
Certifications & Compliance	UL844 Listed for Hazardous Locations NEC/CEC: Class I, Division 2, Groups A, B, C and D; Class II, Division 2, Groups F & G; Class III T-Class: T3, T4A, T5
Mouting Options:	U-Bracket for Pole or Surface Mounting
Lifetime B ased on TM21:	L70 ≥181,000 / L80 ≥132,000 / L90 ≥101,000
Warranty:	10 Years

HAZARDOUS LOCATIONS

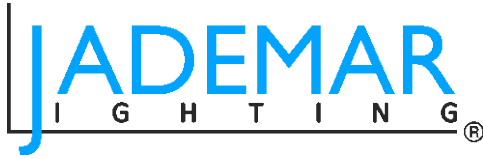
- Wastewater treatment facilities
- Oil and Gas refineries
- Drilling Rigs and Offshore Platforms
- Petrochemical facilities and Chemical plants
- Coal mines
- Aviation bases
- Food and Beverage plants
- Pharmaceutical Facilities
- Wherever flammable vapors, gases, ignitable dusts or fibers are present.



Miami, FL USA - info@jademar.com
 T: 305.640.0465 - F: 305.640.0468
WWW.JADEMAR.COM



Information contained herein is subject to change without notice.
 Values are nominal.
 Revised 11/2022



SPECIFICATION SUBMITTAL DETAIL

Project Name/Type:		Date:
Catalog/Part #:		

JLN-HAZ SERIES EXPLOSION PROOF AND HAZARDOUS LOCATIONS LED LINEAR LUMINAIRE

Class I, Division 2, Groups A, B, C, and D Class II, Division 2, Groups F and G Class III, T-Class: T3, T4A, T5

ORDERING INFORMATION / EXAMPLE: JLN-HAZ-40W-H-30K-UB-GR

Product Series	Wattage	Input Voltage	CCT	Light Distribution	Mounting Options	Finish	Power Cord Options
JLN-HAZ	40W 50W 60W 80W 100W 120W 150W	Blank (100-277VAC) H (480VAC Driver)	30K (3000K) 40K (4000K) 50K (5000K)	Blank (90° TO 110° Beam Angle)	UB (U-Bracket Mount) Standard	GR (Gray) YW (Yellow)	Blank (6FT Power Cord Included) PWCx-C* (Additional Power Cord Length) * x = Length and C = Wire Color BK (Black) or WH (White)

LUMEN PERFORMANCE AND ELECTRICAL DATA

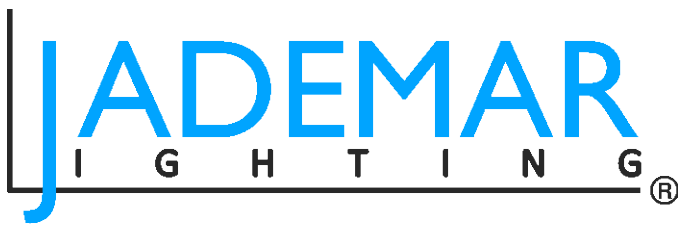
Product Number	JLN-HAZ-40W	JLN-HAZ-50W	JLN-HAZ-60W	
Maximum Dimensions	23.5" x 5.0" x 4.5"	23.5" x 5.0" x 4.5"	23.5" x 5.0" x 4.5"	
Nominal watts	40W	50W	60W	
Average Nominal Efficacy (lm/W)	120	120	120	
Average Lumen Output (lm)	4,800	6,000	7,200	
Max Weight	20.2 lbs.	20.2 lbs.	20.2 lbs.	
Product Number	JLN-HAZ-80W	JLN-HAZ-100W	JLN-HAZ-120W	JLN-HAZ-150W
Maximum Dimensions	21.9" x 8.0" x 4.4"	21.9" x 8.0" x 4.4"	21.9" x 8.0" x 4.4"	21.9" x 8.0" x 4.4"
Nominal watts	80W	100W	120W	150W
Average Nominal Efficacy (lm/W)	120	120	120	120
Average Lumen Output (lm)	9,600	12,000	14,400	18,000
Max Weight	29.8 lbs.	29.8 lbs.	29.8 lbs.	29.8 lbs.
Input Voltage	100-277VAC			
CCT	3000K / 4000K / 5000K			
CRI	>70			
THD @ 120VAC	<10%			
Power Factor	>0.95			
Surge Protection	4KV/6KV			
Construction	Aluminum Alloy / Tempered Glass Lens			
Lifetime Based on TM21	L70 ≥ 181,000 / L80 ≥ 132,000 / L90 ≥ 101,000 Hrs			
Ambient Working Temp	(-30 °C to +50 °C) -22°F to 122°F			
Ingress Protection	IP67 Waterproof and Dustproof			
Certifications & Compliance	UL844 Listed for Hazardous Locations Class I, Division 2, Groups A, B, C, and D; Class II, Division 2, Groups F and G; Class III, T-Class: T3, T4A, T5			
Limited Warranty	10 Yrs			



Miami, FL USA - info@jademar.com
T: 305.640.0465 - F: 305.640.0468
WWW.JADEMAR.COM



Information contained herein is subject to change without notice.
Values are nominal.
Revised 11/2022

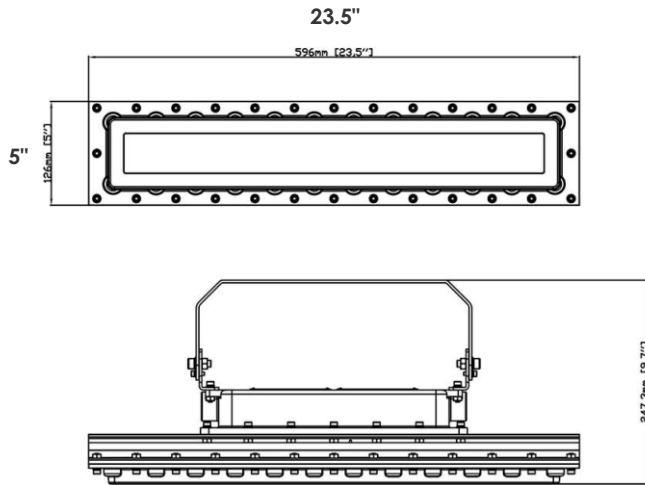


JLN-HAZ SERIES

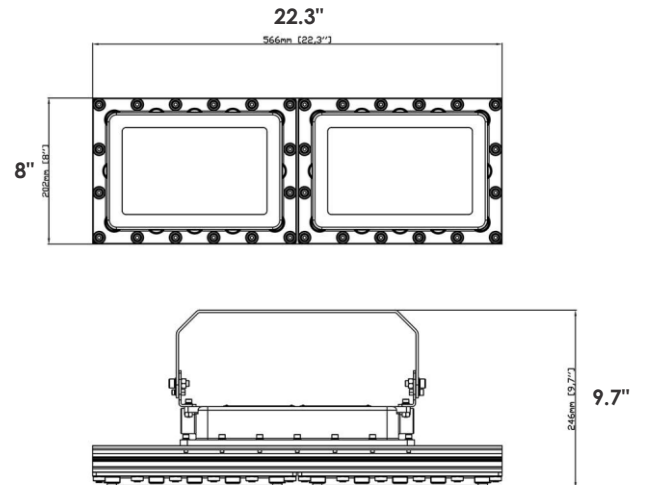
EXPLOSION PROOF LED LINEAR LUMINAIRE FOR HAZARDOUS LOCATIONS

Class I, Division 2, Groups A, B, C, and D
 Class II, Division 2, Groups F and G
 Class III, T-Class: T3, T4A, T5

PRODUCT DIMENSIONS

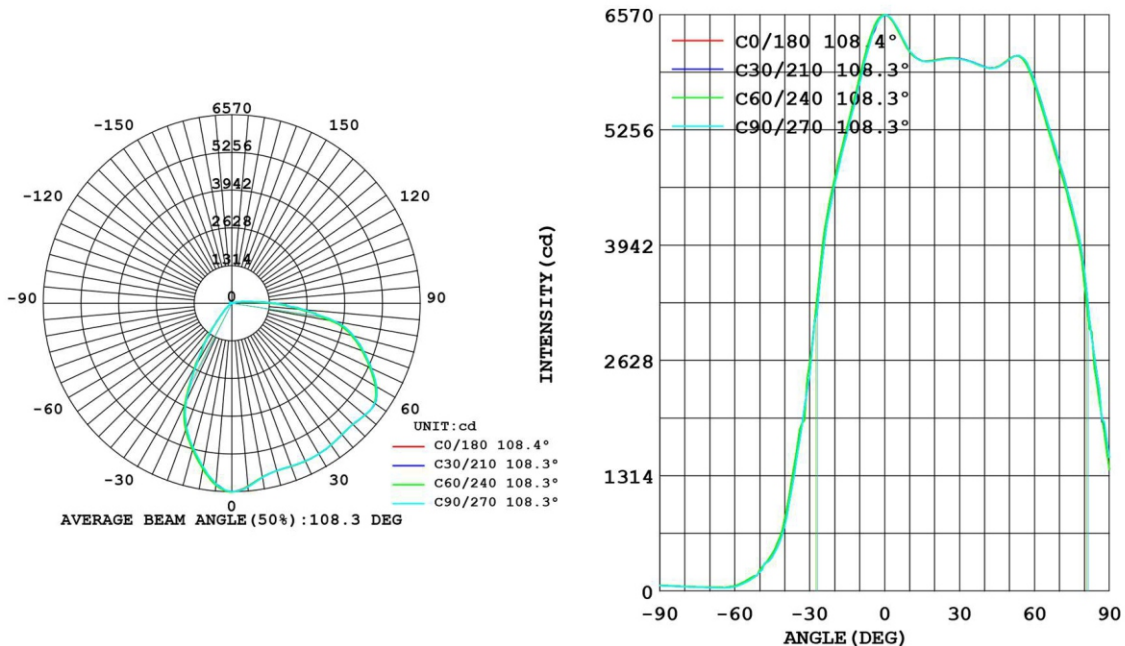


40W/60W/80W



80W/100W/120W/150W

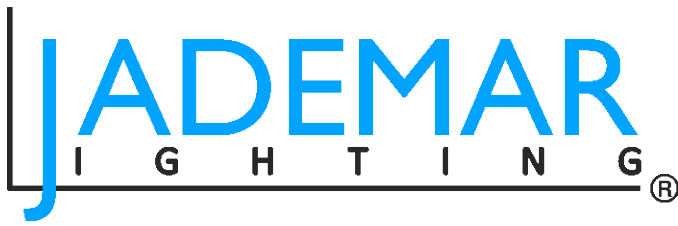
PHOTOMETRY



Miami, FL USA - info@jademar.com
 T: 305.640.0465 - F: 305.640.0468
WWW.JADEMAR.COM



Information contained herein is subject to change without notice.
 Values are nominal.
 Revised 11/2022

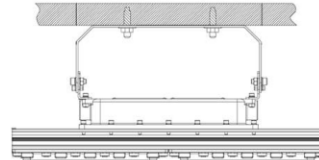
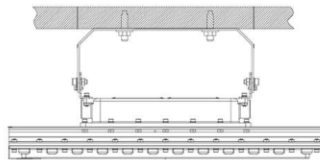


JLN-HAZ SERIES

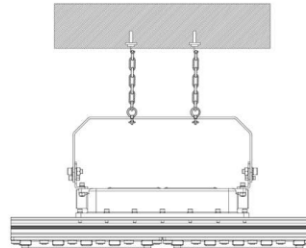
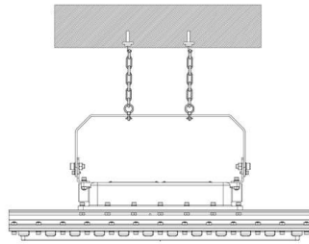
EXPLOSION PROOF LED LINEAR LUMINAIRE FOR HAZARDOUS LOCATIONS

Class I, Division 2, Groups A, B, C, and D
Class II, Division 2, Groups F and G
Class III, T-Class: T3, T4A, T5

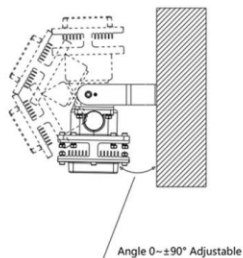
MOUNTING INSTALLATION OPTIONS



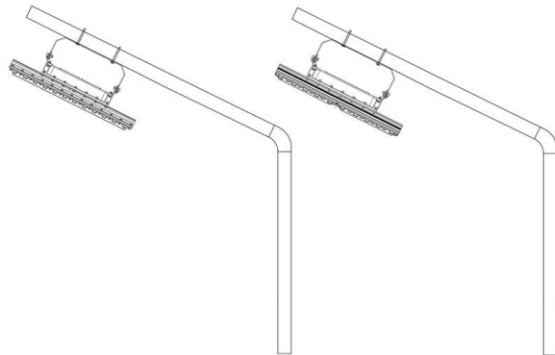
CEILING MOUNT



DROP MOUNT



WALL MOUNT



POLE MOUNT

