

JRTDL SERIES T-GRID LIGHTING SYSTEM SEPARATE DESIGN WITH LED MODULE AND T-GRID BRACKET

PRODUCT DESCRIPTION

The JRTDL T-Grid LED lighting system has a unique separate design with LED T-grid bracket which you can replace the LED module randomly for your different needs. This luminaire series offers lighting designers more freedom to design since the LED module can follow the ceiling elements in many different ways, which has a versatile compatibility to various T-Grids.

It is available in 2FT and 4FT units with 9/16" and 15/16" configurations and adapt remote driver which parallel connects three units per driver.

MOUNTING

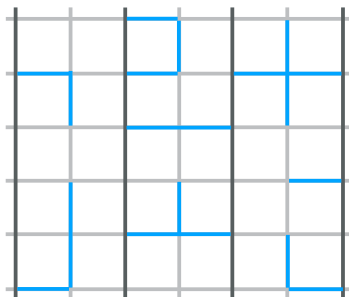
The JRTDL LED linear light series is a lighting solution that integrates into T-Grid for suspended ceilings, allows our product to be fully and seamlessly integrated or retrofit into standard 9/16" and 15/16" T-Grid of suspended ceiling. It can replace selected cross tees of the grid ceiling suspension system where light is desired. It can be connected parallel three units per power supply.



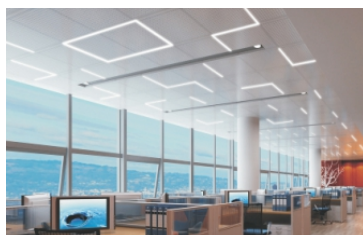
FLEXIBLE LIGHTING SOLUTION

T-Grid LED can be installed in many configurations by replacing any of the cross tees between the main runners of the grid ceiling assembly.

Considering different dimension and functions of a room, the linear light will at any point provide the desired light level. Your room no longer has to be ruled by a single fixture in the ceiling, providing a flexible general lighting solution for commercial and institutional environments such as offices, classrooms, retail and public space.



— Examples of configurations
— Possible positions for T-grid LED light modules
— One-piece main runner cannot be replaced



CERTIFICATIONS

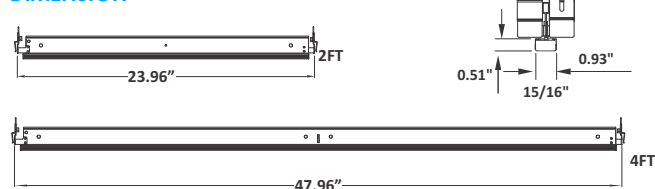


PENDING

PERFORMANCE SUMMARY

Size	2FT & 4FT (9/16" & 15/16") Configurations
Input Power:	2FT-10W / 4FT-20W
Efficacy:	130 lm/W
CCT:	3500K / 4000K / 5000K
CRI:	CRI: >80
Input Voltage:	100-277VAC
Dimming	0-10V PWM VR Dimming
Warranty:	10 Years

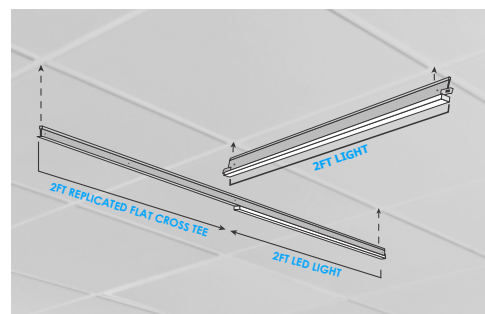
DIMENSION



T-Grid Bracket



LED Linear Module



Information contained herein is subject to change without notice.

Values are nominal.

Revised 06/2022

Page 1 of 2



SPECIFICATION SUBMITTAL DETAIL

Project Name/Type:		Date:
Catalog/Part #:		

JRTDL 15/16" RECESSED T-GRID DIRECT LINEAR

ORDERING INFORMATION / Example: **JRTDL2-10W-UF-30K-D**

Product Series	T-Grid Style	CCT	CRI	Input Voltage	Controls & Dimming	Driver Options
JRTDL2-10W	UF (15/16" Frosted Diffusing)	30K (3000K)	Blank (80 CRI)	Blank (100-277VAC)	D (0-10V Dimming)	DR-30W (30W Driver) DR-60W (60W Driver)
	UC (15/16" Clear Diffusing)	35K (3500K)				
JRTDL4-20W	F (9/16" Flat Frosted Diffusing)	40K (4000K)				
	S (9/16" Slot Frosted Diffusing)	50K (5000K)				

FIELD INSTALLED OPTIONS

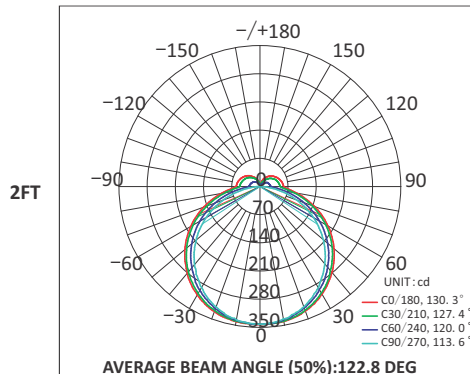
JEMA-SD-15W-50	15W Emergency BB Unit
JEMA-SD-20W-50	20W Emergency BB Unit

LUMEN PERFORMANCE AND ELECTRICAL DATA

Product Number	JRTDL2-10W		JRTDL4-20W	
Maximum Dimensions	2FT		4FT	
T-Grid Style	UF (15/16")	F (9/16")	UF (15/16")	F (9/16")
Nominal Wattage	10W	10W	20W	20W
Average Nominal Efficacy (lm/W)	130	110	130	110
Lumen Output (lm)	1,300	1,100	2,600	2,400
Beam Angle/Field Angle	123°	123°	120°	128°
Input Voltage	100-277VAC			
CCT	3500K / 4000K / 5000K			
CRI	>80			
THD @ 120VAC	>9%			
Power Factor	>0.9			
Controls	Continuous Dimmable > 10%			
Lifetime Based on TM21	Designed to L70 minimum 50,000 hours			
Certifications	UL Listed / DLC Listed (Pending)			
Limited Warranty	10 Years			

PHOTOMETRIC DATA

LUMINOUS INTENSITY DISTRIBUTION DIAGRAM



LUMINOUS INTENSITY DISTRIBUTION DIAGRAM

