



PFL SERIES LOW WATTAGE FLOODLIGHT

PRODUCT DESCRIPTION

The Jademar PFL Low Wattage luminaire series provides high efficiency, zero maintenance and extended lifetime in a rugged all weather housing.

The PFL series is designed for maximum adaptability in municipal, industrial, commercial and residential applications wherever general area security lighting is required.

This series is designed for maintenance free lifespan of over 22 years at 12 hrs/day. Calculated L70 lifespan is over 100,000 hrs.

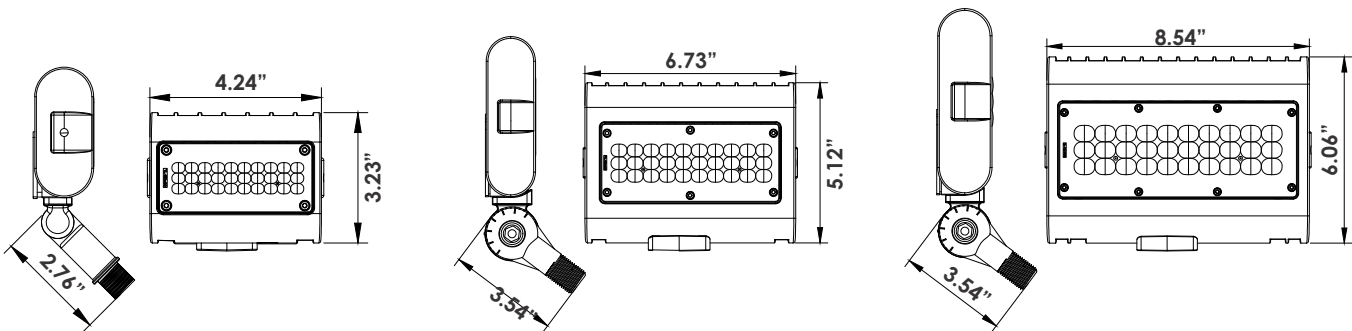
FEATURES

- Housing: ADC12 Aluminum heat sink, SUS back plate, outdoor powder coating
- Optical Lens: Polycarbonate, Anti-UV and Fire resistant.
- Aluminum LED board: High conductive, waterproof, aging resistance, salt mist resistance, make sure the safety and long lifetime

PERFORMANCE SUMMARY

Input Power	15W / 30W / 50W
Input Voltage	120-277VAC
CCT	3000K / 4000K / 5000K
Efficacy	Average of 128 lm/W
Power Factor	≥0.90
CRI	>70
THD @ 120VAC	≤20%
Ambient Working Temp.	-40°F to 130°F
LED L70 Lifetime Calculation	>100,000 Hrs.
Ingress Protection (IP)	IP65
Standard Control Specification	Knockout Mount Field Installable Photocell
Construction	Powder Coat Cast Aluminum Housing and UV Stable Polycarbonate Lens
Certifications	UL Listed
Limited Warranty	5 Yrs

Product Dimensions & Weight				
Model	L	H	Knuckle	Weight
PFL-15W	4.24"	3.23"	2.76"	1.35 lbs.
PFL-30W	6.73"	5.12"	3.54"	1.45 lbs.
PFL-50W	8.54"	6.06"	3.54"	1.80 lbs.





SPECIFICATION SUBMITTAL DETAIL

Project Name/Type:	Date:
Catalog/Part #:	

PFL LOW WATTAGE FLOODLIGHT SERIES

ORDERING INFORMATION / EXAMPLE: [PFL-15W-30K-W-N-KN-BZ](#)

Product Series	Wattage	CCT	CRI	Input Voltage	Light Distribution	Controls & Dimming	Mounting Options	Finish
PFL	15W	30K (3000k)	Blank (80 CRI)	Blank (120-277V) Standard	W (Wide 6x6) M (Medium 5x5) N (Narrow 4x4)	N (Non-Dimming)	YK (Yoke mount) Standard KN (Threaded Nipple Type)	BZ (Bronze) Standard CC (Custom Color) Special Order
	30W	40K (4000K)						
	50W	50K (5000K)						

For Field Installed EM Packs, please consult Customer Service.

LUMEN PERFORMANCE DATA

Optic Type	CCT	PFL-15W			PFL-30W			PFL-50W		
		Lumens	Efficacy	Wattage	Lumens	Efficacy	Wattage	Lumens	Efficacy	Wattage
IES Type 2VS	3000K	1679.9	116.3	14.4	3882.1	128.4	30.2	6631.6	132.7	50.0
	4000K	1615.0	111.4	14.5	3586.0	121.2	29.6	6031.0	122.5	49.3
	5000K	1663.0	115.6	14.4	3718.0	125.5	29.6	6179.0	126.3	48.9

FIELD INSTALLED OPTIONS

SPC	Stem Mount Field Installed Photocell
-----	--------------------------------------

LUMEN MAINTENANCE

Product Number	Test Ambient Temperature	Tested Case Temperature	L90 (Hrs)	L70 (Hrs)
PFL-15W	25°C	52.4	21,000	70,000
PFL-30W		55.4	21,000	70,000
PFL-50W		58.4	20,000	67,000

PHOTOMETRIC DATA

Product Number	Optic Designation	BUG Rating	Distribution Type	Beam Angle (H x V)	Field Angle (H x V)
PFL-15W	T2VS	B1-U1-G0	Wide: NEMA 7x7 / IES T2S	115 x 88	150 x 131
PFL-30W	T2VS	B1-U1-G1	Wide: NEMA 7x7 / IES T2S	119 x 83	160 x 132
PFL-50W	T2VS	B2-U1-G1	Wide: NEMA 7x7 / IES T2S	117 x 90	157 x 158

ELECTRICAL DATA

Product Number	Voltage (VAC)	System Amps	Power Factor	THD	System Surge Protection	System Control	LED CRI	LED Supply Current	LED Supply Voltage
PFL 15W	120	0.126	0.982	17.58%	22kV Standard	1-10VDC Dimming Standard	>70	128.2mA	42.0VDC
	277	0.061	0.907	16.52%				NA	NA
PFL 30W	120	0.248	0.970	16.91%				122mA	42.0VDC
	277	0.118	0.909	19.23%				NA	NA
PFL 50W	120	0.411	0.973	19.23%				123.5mA	61.6VDC
	277	0.192	0.903	17.63%				NA	NA

LUMINAIRE MECHANICAL DETAIL

Specification	PFL-15W	PFL-30W	PFL-50W
Ingress Protection	IP-65		
Construction	Cast Aluminum Alloy / Epoxy Powder Coat Finish / Polycarbonate Lens		
Standard Mount	Yoke Mount Standard		
Mount Options	Threaded Stem with Adjustable Knuckle Optional		
EPA - Single Mount	0.121 Sq. Ft.	0.287 Sq. Ft.	0.431 Sq. Ft.
EPA - 2@180 Deg.	0.243 Sq. Ft.	0.574 Sq. Ft.	0.862 Sq. Ft.



Miami, FL USA - info@jademar.com
 T: 305.640.0465 - F: 305.640.0468
WWW.JADEMAR.COM

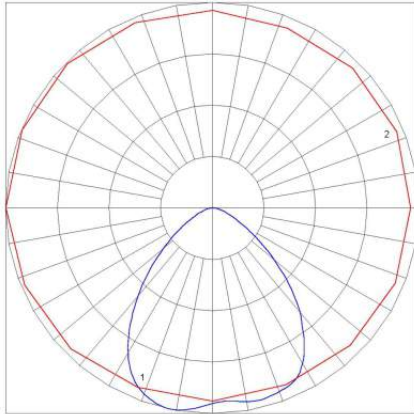


Information contained herein is subject to change without notice.
 Values are nominal.
 Revised 08/2022

PHOTOMETRIC DETAIL

PFL - 15W

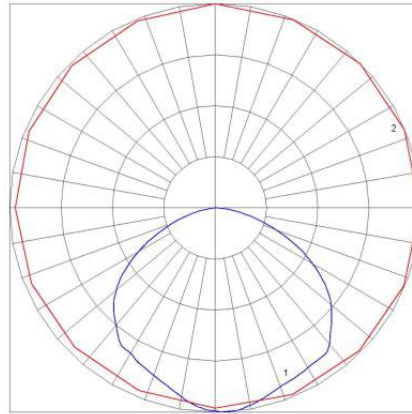
Spacing Criteria (0-180)	1.32
Spacing Criteria (90-270)	1.38
Spacing Criteria (Diagonal)	1.40



1. Vertical Plane at Max. Values
2. Horizontal Cone at Max. Values

PFL - 30W

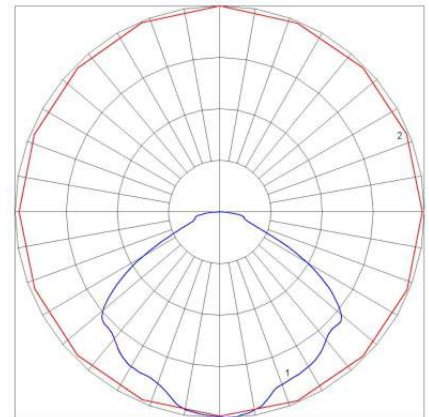
Spacing Criteria (0-180)	1.22
Spacing Criteria (90-270)	1.40
Spacing Criteria (Diagonal)	1.34



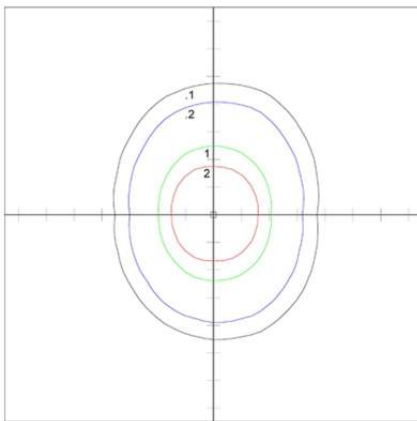
1. Vertical Plane at Max. Values
2. Horizontal Cone at Max. Values

PFL - 50W

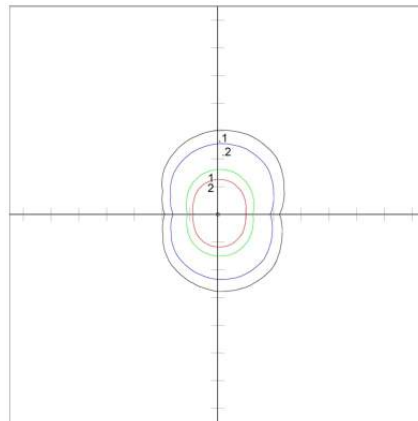
Spacing Criteria (0-180)	1.10
Spacing Criteria (90-270)	1.34
Spacing Criteria (Diagonal)	1.48



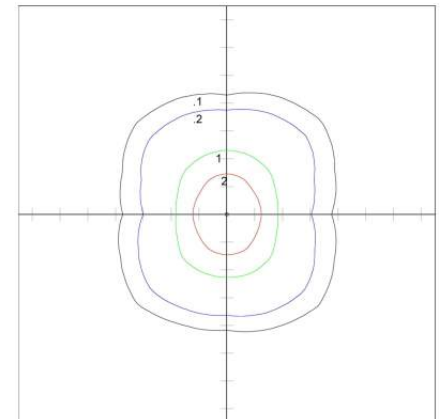
1. Vertical Plane at Max. Values
2. Horizontal Cone at Max. Values



PDL 15W Illumination
(Footcandle) Plot
Mounting Height = 10ft. above grade
Scale Marks: 10ft.



PFL 30W Illumination
(Footcandle) Plot
Mounting Height = 10ft. above grade
Scale Marks: 10ft.



PFL 50W Illumination
(Footcandle) Plot
Mounting Height = 20ft. above grade
Scale Marks: 10ft.

