



PFL-DSP SERIES POWER SELECTABLE FLOODLIGHT

PRODUCT DESCRIPTION

The Jademar PFL-DSP Series of Floodlights provides high efficiency, zero maintenance and extended lifetime in a rugged all weather housing. This floodlight series has a power selectable feature that gives the user options in the field.

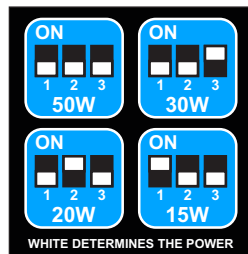
The PFL series is designed for maximum adaptability in municipal, industrial, commercial and residential applications wherever general area security lighting is required. This series is designed for maintenance free lifespan of over 22 years at 12 hrs/day. Calculated L70 lifespan is over 100,000 hrs.



PERFORMANCE SUMMARY

Input Power	Power Selectable 15W / 20W / 30W / 50W
Input Voltage	100-277VAC
CCT	3000K / 5000K
Efficacy	Average of 128 lm/W
Power Factor	>0.90
CRI	>70
THD @ 120VAC	≤20%
Ambient Working Temp.	-40°F to 130°F (-40°C to 54°C)
LED L70 Lifetime Calculation	>100,000 Hrs.
Ingress Protection (IP)	IP65
Standard Control Specification	Knockout Mount Field Installable Photocell
Construction	Powder Coat Cast Aluminum Housing and UV Stable Polycarbonate Lens
Certifications	UL Listed for Wet Locations
Lifetime Based on TM21	L70 @ >118,000 Hrs / L80 @ >81,000 Hrs / L90 @ >51,000 Hrs
Limited Warranty	5 Yrs

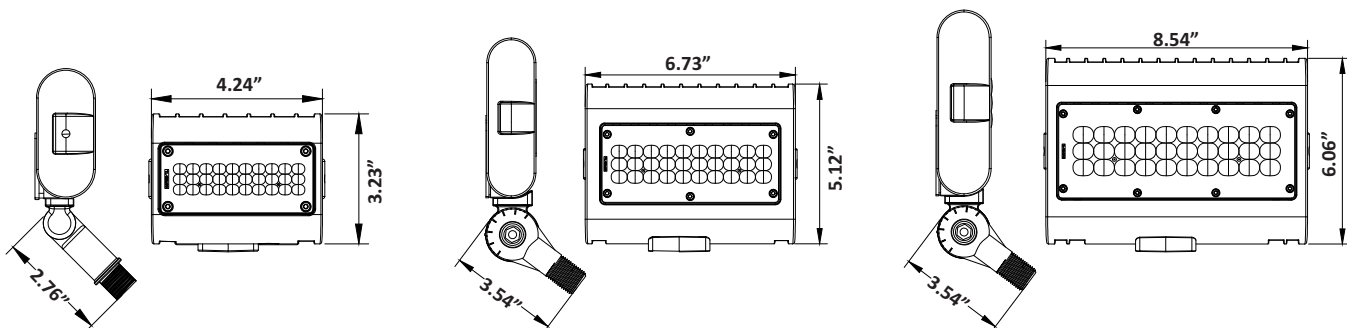
DIP SWITCH FOR POWER

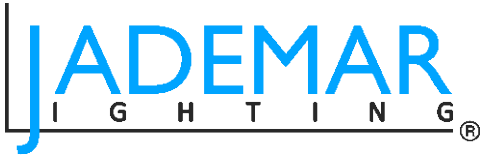


FEATURES

- Housing: ADC12 Aluminum heat sink, SUS back plate, outdoor powder coating
- Optical Lens: Polycarbonate, Anti-UV and Fire resistant.
- Aluminum LED board: High conductive, waterproof, aging resistance, salt mist resistance, make sure the safety and long lifetime

Product Dimensions & Weight				
Model	L	H	Knuckle	Weight
PFL-DSP-15W	4.24"	3.23"	2.76"	1.35 lbs.
PFL-DSP-30W	6.73"	5.12"	3.54"	1.45 lbs.
PFL-DSP-50W	8.54"	6.06"	3.54"	1.80 lbs.





SPECIFICATION SUBMITTAL DETAIL

Project Name/Type:		Date:
Catalog/Part #:		

PFL-DSP POWER SELECTABLE LED FLOODLIGHT SERIES

Ordering Information / Example: **PFL-50W-DSP-30K-W-N-KN-BZ**

Product Series	Wattage	CCT	CRI	Input Voltage	Light Distribution	Controls & Dimming	Mounting Options	Finish
PFL	50W-DSP (Power Selectable 50W/30W/20W/15W)	30K (3000K) 50K (5000K)	Blank (80 CRI)	Blank (100-277V) Standard	W (Wide 6x7)	N (Non-Dimming)	YK (Yoke mount) Standard KN (Threaded Nipple Type)	BZ (Bronze) Standard CC (Custom Color) Special Order

For Field Installed EM Packs, please consult Customer Service

LUMEN PERFORMANCE AND ELECTRICAL DATA

Model Number	PFL-50W-DSP							
Wattage	15W		20W		30W		50W	
CCT	3000K	5000K	3000K	5000K	3000K	5000K	3000K	5000K
Lumen Output (lm)	1,863	1,938	2,600	2,640	3,973	4,041	6,017	6,219
Efficacy (lm/W)	126	130	130	132	133	134	128	132
THD	>15%							
Power Factor	>0.90							
CRI (Ra)	>70							
Input Voltage	100-277VAC							
Dimming	Non-Dimming							
NEMA Beam Type	Wide Flood 0-180° (6) x 90-270° (7)							
Ingress Protection	IP65							
Construction	Cast Aluminum Alloy / Epoxy Powder Coat Finish / Polycarbonate Lens							
Standard Mount	Threaded Stem with Adjustable Knuckle							
EPA - Single Mount	0.121 Sq. Ft.		0.140 Sq. Ft.		0.287 Sq. Ft.		0.431 Sq. Ft.	
EPA - 2@180 Deg.	0.243 Sq. Ft.		0.279 Sq. Ft.		0.574Sq. Ft.		0.862 Sq. Ft.	
Lifetime Based on TM21	L70 @ >118,000 Hrs / L80 @ >81,000 Hrs / L90 @ >51,000 Hrs							
Warranty	5 Years							



Miami, FL USA - info@jademar.com
 T: 305.640.0465 - F: 305.640.0468
WWW.JADEMAR.COM



Information contained herein is subject to change without notice.
 Values are nominal.
 Revised 08/2022