

PSAL SERIES

ALL-IN-ONE SOLAR AREA LIGHT



PRODUCT FEATURES

- **All-in-one design:** Perfect combination of solar power, LED, LiFePO4 battery, moon sensor, light sensor and ming control technology
- **Easy installation and less maintenance:**
 - Integrated design without cabling
 - Can be installed on wood, bamboo, or iron poles
 - Can be mounted on wall surface outside any building structure
- **Long life span:** Using high power capacity and long life LiFePO4 battery
- **Saves energy:** Integrates infrared sensor to save power and lighting performance
- **Housing Material:**
 - ABS Plastic for solar panel frame
 - Weather Resistant Metal with rust-proof coating for LED Housing
 - Adjustable mount Housing in Grey Finish

Bracket will fit up to 3" round or 5" square pole

SPECIFICATION SUBMITTAL DETAIL

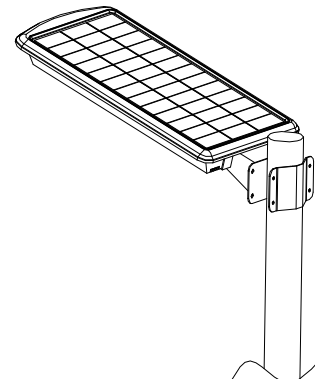
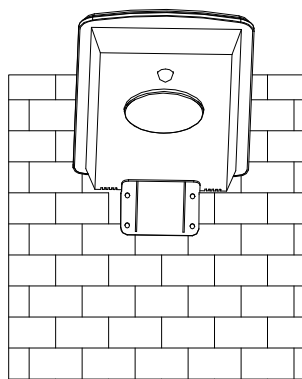
Project Name/Type:		Date:
Catalog/Part #:		
Product Number	PSAL10LED24-50DRMS	
Wattage	10W	
Solar Panel	15W Poly Crystalline	
Battery	6 AH 9.6V LiFePO4 Battery	
Lumen Output	1000Lm	
CCT	5000K"	
PIR Sensor	18 - 30'	
Installation	9 - 15'	
Full Charge	12 Hours of Operation	
Pole Distance	30-36'	
Work Mode	Remote Control - Refer to Manual	
Dimension	20.3" x 10.2" x 3.0"	
Packing	4 pcs / 42 lbs per Carton	
Warranty	2 Years (lifetime 6-8 years)	

UNUSED SOLAR FIXTURES MUST HAVE THEIR BATTERY RECHARGED EVERY 3 MONTHS OR DAMAGE CAN OCCUR TO THE BATTERY

APPLICATIONS



MOUNTING OPTIONS



Miami, FL USA - info@jademar.com
 T: 305.640.0465 - F: 305.640.0468
WWW.JADEMAR.COM



Information contained herein is subject to change without notice.
 Values are nominal.
 Revised 08/2022